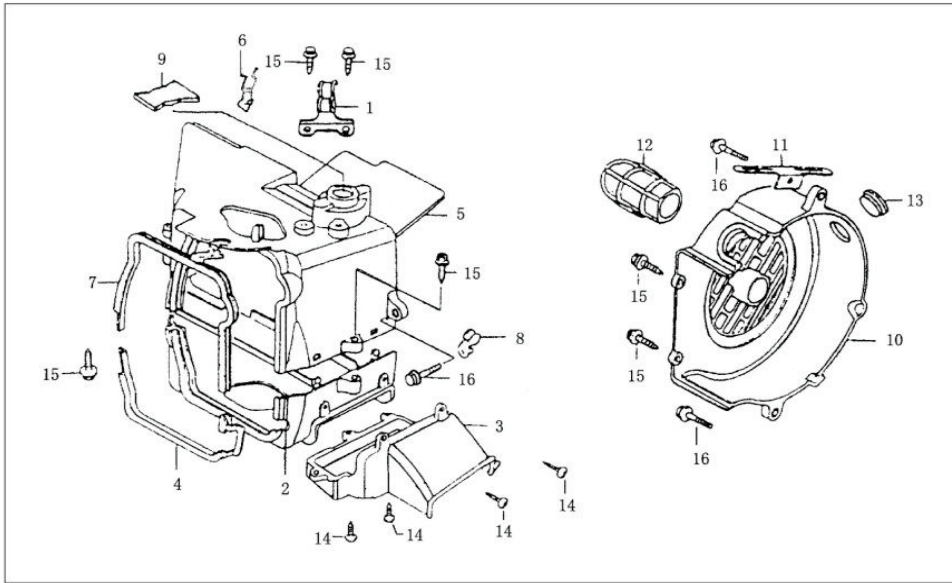


**BAOTIAN
ERSATZTEILE LISTE
SMART RIDER 2006
BT 125T-2**

BAOTIAN SMART RIDER 2006 BT125-T2

F1 Breathe, Shroud

进气罩
导风罩



. 1 .

Bild Nr.:	Artiklenummer	Bezeichnung (e)	Menge
1	BT152QMI-000101 F1.1	Clamper Breather Tube	1
2	BT152QMI-000102 F1.2	Shroud A	1
3	BT152QMI-000103 F1.3	Duct Shroud	1
4	BT152QMI-000104 F1.4	Seal Ring A	1
5	BT152QMI-000105 F1.5	Shroud B	1
6	BT152QMI-000106 F1.6	Clip High Tension Cord	1
7	BT152QMI-000107 F1.7	Seal Ring B	1
8	BT152QMI-000108 F1.8	Clamper Carb Drain Tube	1
9	BT152QMI-000109 F1.9	Grommet Shroud	1
10	BT152QMI-000200 F1.10	Cover Assy, Breathe	1
11	BT152QMI-000201 F1.11	Clamper Starter Cable	1
12	BT152QMI-000202 F1.12	Duct Carburetor Cooling	1
13	BT152QMI-000203 F1.13	Crommet Bside Panel	1
14	GB845-85 ST4.2*13-F-H F1.14	Screw Tapping 5*12	4
15	GB845-85 ST4.2*13-F-H F1.15	Screw Tapping 5*16	6
16	GB5787-86 F1.16	Bolt Flance M6*25	3

BAOTIAN SMART RIDER 2006 BT125-T2

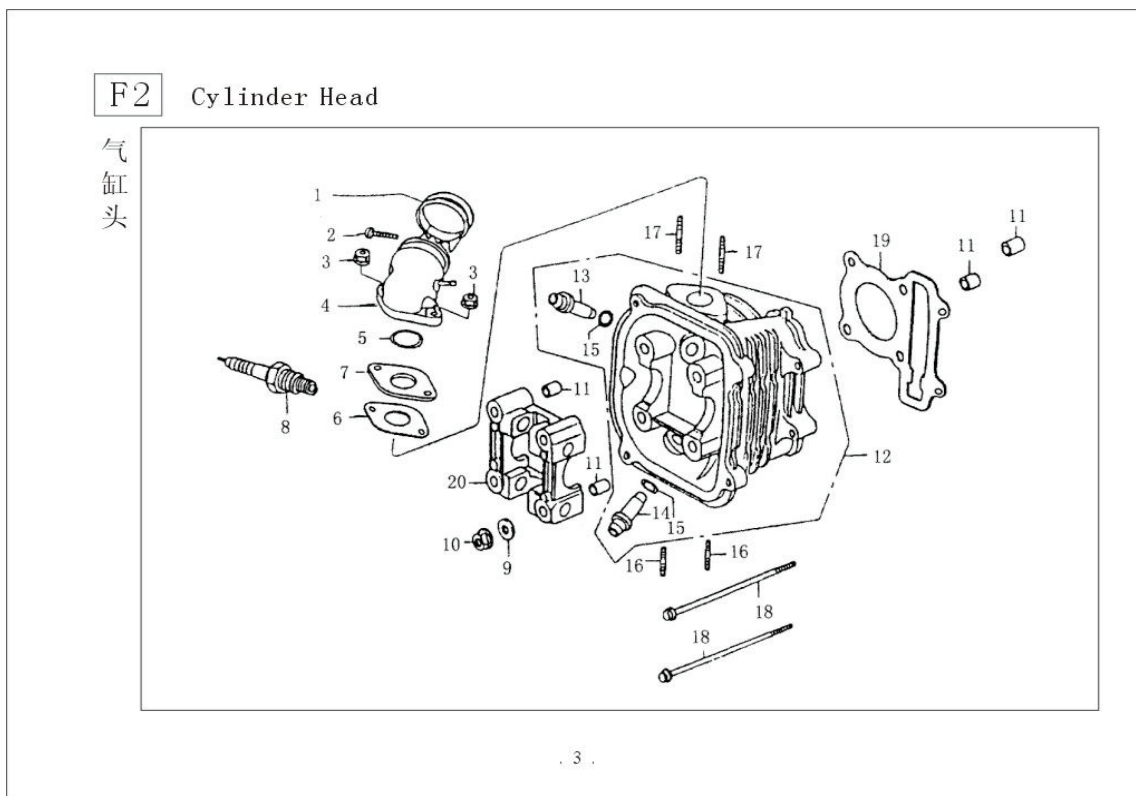


Bild Nr.:	Artiklenummer	Bezeichnung (e)	Menge
1	BT152QMI-010400 F2.1	Band Insulator	1
2	GB/T 818-1985 F2.2	Screw Pan M4*25	1
3	GB/T 6177-1986 F2.3	Nut M6	2
4	BT152QMI-010200 F2.4	Pipe Comp In	1
5	BT152QMI-010001 F2.5	O-Ring 27*2.0	4
6	BT152QMI-010002 F2.6	Insulator Carburetor	1
7	BT152QMI-010003 F2.7	Gasket Carburetor Insulator	1
8	BT152QMI-010300 F2.8	Plug Spark (C7hsk Ngk)	1
9	BT152QMI-010004 F2.9	Cylinder Head Washer	4
10	BT152QMI-010005 F2.10	Nut M8	4
11	BT152QMI-010006 F2.11	Pin Dowel 10*16	4
12	BT152QMI-010100 F2.12	Head Comp, Cylinder	1
13	BT152QMI-010102 F2.13	Guide In Valve	1
14	BT152QMI-010103 F2.14	Guide Ex Valve	1
15	BT152QMI-010104 F2.15	O-Ring 9*1.6	2
16	BT152QMI-010105 F2.16	Bolt 2-Stud 6*18	2
17	BT152QMI-010106 F2.17	Bolt 2-Stud 6*50	2
18	GB/T 5787-1986 F2.18	Bolt Flange M6*100	2
19	BT152QMI-000001 F2.19	Gasket Cylinder Head	1
20	BT152QMI-011206 F2.20	Holder Camshaft	1

BAOTIAN SMART RIDER 2006 BT125-T2

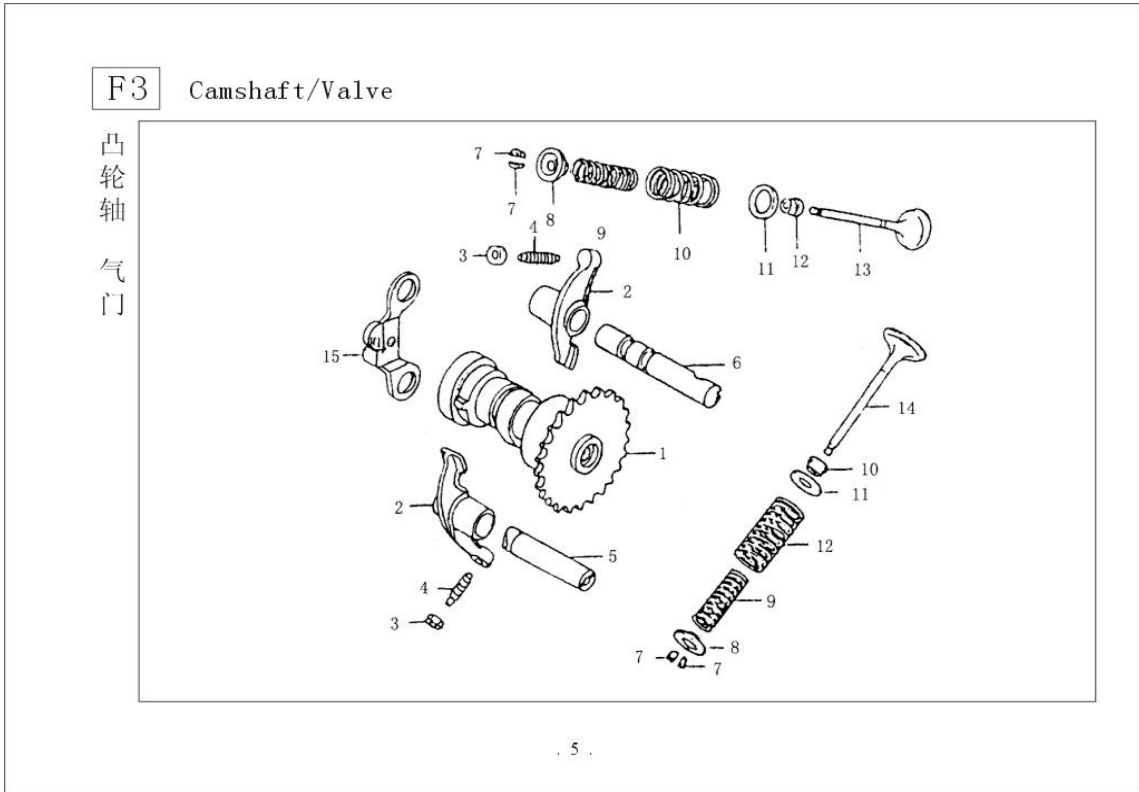


Bild Nr.:	Artiklenummer	Bezeichnung (e)	Menge
1	BT152QMI-011500 F3.1	Camshaft Comp.	1
2	BT152QMI-011201 F3.2	Arm Valve Rocker	2
3	BT152QMI-011202 F3.3	Nut Lock	2
4	BT152QMI-011203 F3.4	Screw Adjusting	2
5	BT152QMI-011204 F3.5	Shaft Comp Ex Rocker Arm	1
6	BT152QMI-011205 F3.6	Shaft Comp In Rocker Arm	1
7	BT152QMI-011302 F3.7	Lock Valve	4
8	BT152QMI-011303 F3.8	Retainer Valve Spring	2
9	BT152QMI-011304 F3.9	Spring Valve Inner	2
10	BT152QMI-011305 F3.10	Spring Valve Outer	2
11	BT152QMI-011306 F3.11	Seat Valve Spring Outer	2
12	BT152QMI-011307 F3.12	Seal Valve Stem	2
13	BT152QMI-011301 F3.13	Valve In.	1
14	BT152QMI-011401 F3.14	Valve Ex.	1
15	BT152QMI-011501 F3.15	Plate Comp Stopper	1

BAOTIAN SMART RIDER 2006 BT125-T2

F4 Camchain/Tensioner

正时链条
张紧器

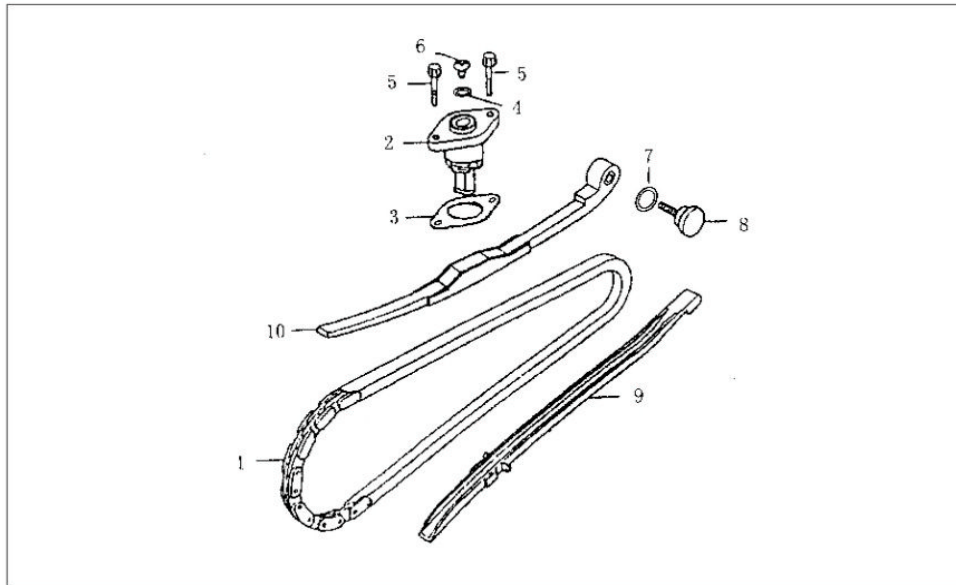
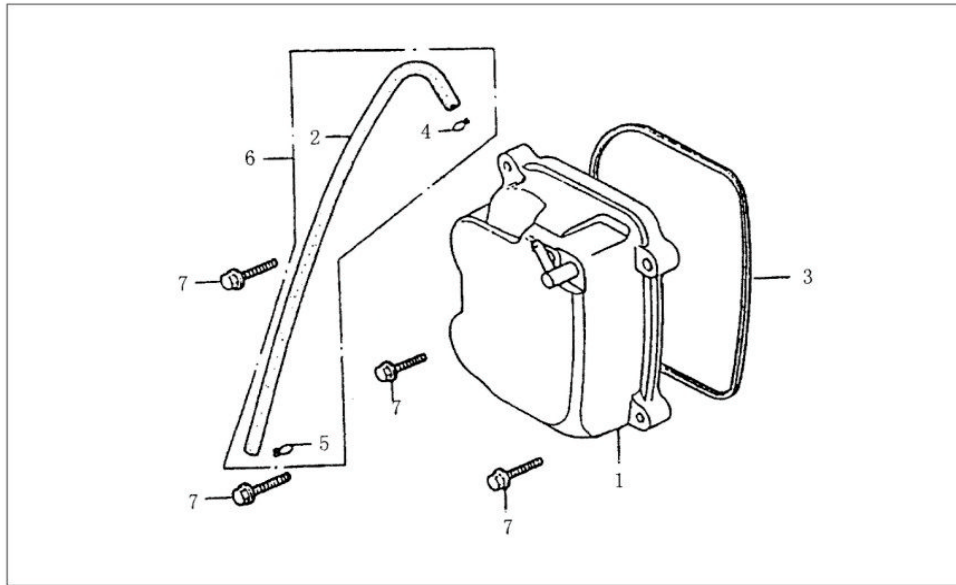


Bild Nr.:	Artiklenummer	Bezeichnung (e)	Menge
1	BT152QMI-080700 F4.1	Chain Cam	1
2	BT152QMI-080610 F4.2	Lifter Assy Tensioner	1
3	BT152QMI-080601 F4.3	Gasket Tensioner Lifter	1
4	BT152QMI-080611 F4.4	O-Ring 1.5*9.5	1
5	GB/T 5787-1986 F4.5	Bolt Flange M6*22	2
6	BT152QMI-080620 F4.6	Screw Pan M6*6	1
7	BT152QMI-080621 F4.7	O-Ring 15.2*1.5	1
8	BT152QMI-080622 F4.8	Pivot Cam Chain Tensioner	1
9	BT152QMI-080623 F4.9	Guide Comp Cam Chain	1
10	BT152QMI-080624 F4.10	Tensioner Cam Chain	1

BAOTIAN SMART RIDER 2006 BT125-T2

F5 Cylinder Head Cover

气缸头盖



. 9 .

Bild Nr.:	Artiklenummer	Bezeichnung (e)	Menge
1	BT152QMI-160000 F5.1	Cover Comp Cylinder Head	1
2	BT152QMI-160001 F5.2	Tube Breather	1
3	BT152QMI-160002 F5.3	Gasket Head Cover	1
4	BT152QMI-160003 F5.4	Clamp Tube (D8.5)	1
5	BT152QMI-160004 F5.5	Clip B 12MM	1
6	BT152QMI-160005 F5.6	Tube Assy Breather	1
7	GB/T 5787-1986 F5.7	Bolt Flange M6*6	4

BAOTIAN SMART RIDER 2006 BT125-T2

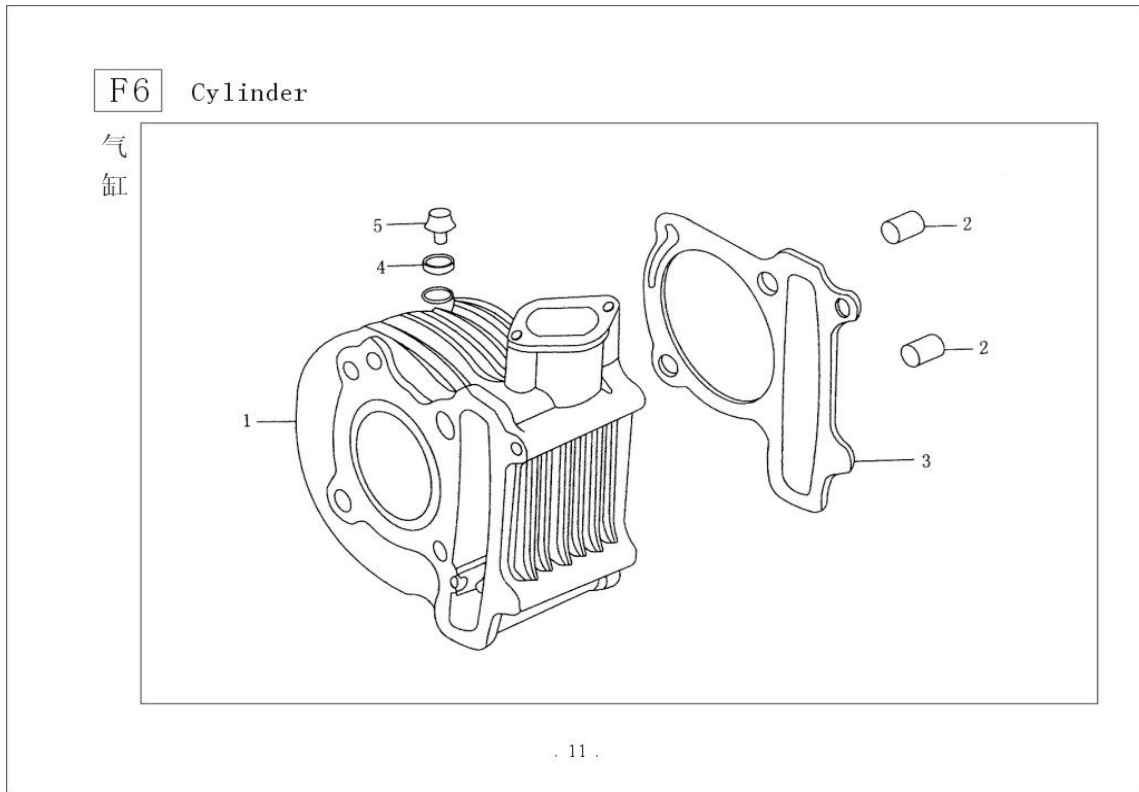


Bild Nr.:	Artikelnummer	Bezeichnung (e)	Menge
1	BT152QMI-020001 F6.1	Cylinder Assy.	1
2	BT152QMI-020002 F6.2	Pin Dowel	2
3	BT152QMI-020002 F6.3	Gasket Cylinder	1
4	GB/T 97.1-1985 F6.4	Washer Sealing $\Phi 6$	1
5	GB/T 5787-1986 F6.5	Bolt Flange M6*12	1

BAOTIAN SMART RIDER 2006 BT125-T2

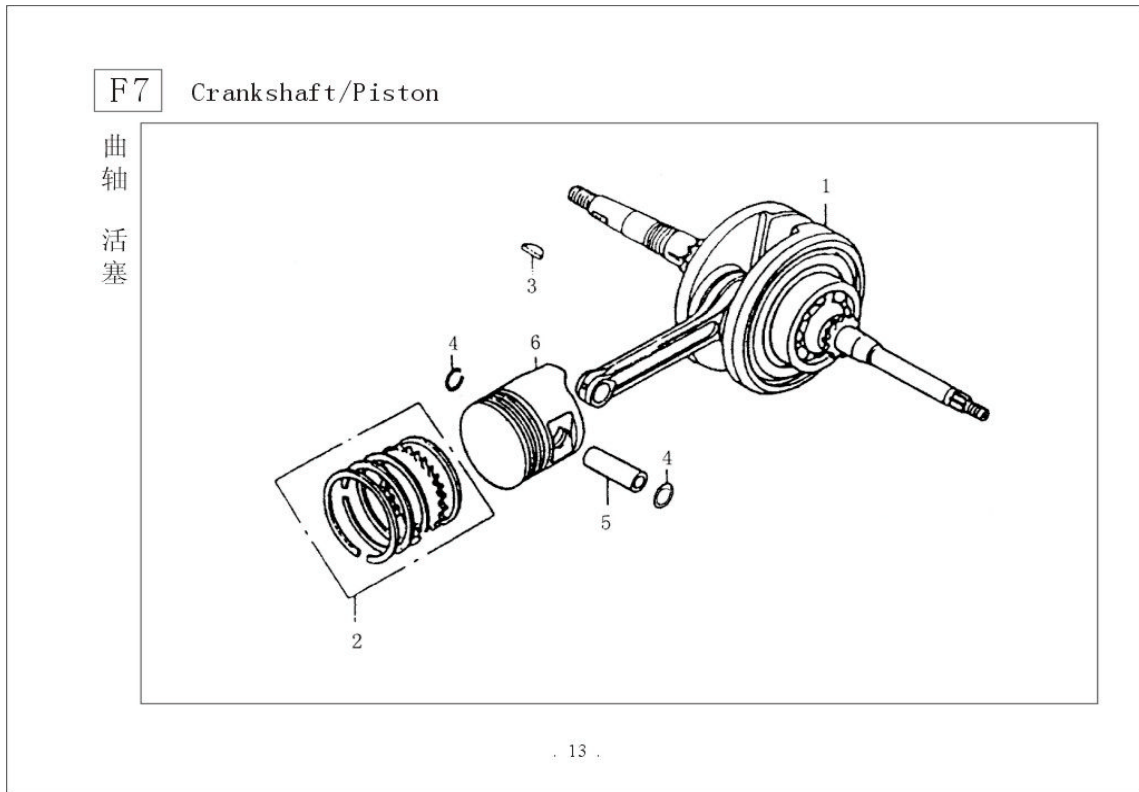


Bild Nr.:	Artikelnummer	Bezeichnung (e)	Menge
1	BT152QMI-070100 F7.1	Crankshaft Rod Assy.	1
2	BT152QMI-070200 F7.2	Ring Set Piston (STD)	1
3	BT152QMI-070001 F7.3	Woodruff Key	1
4	BT152QMI-070002 F7.4	Piston Pin Clip	2
5	BT152QMI-070003 F7.5	Pin Piston	1
6	BT152QMI-070004 F7.6	Pinton (STD)	1

BAOTIAN SMART RIDER 2006 BT125-T2

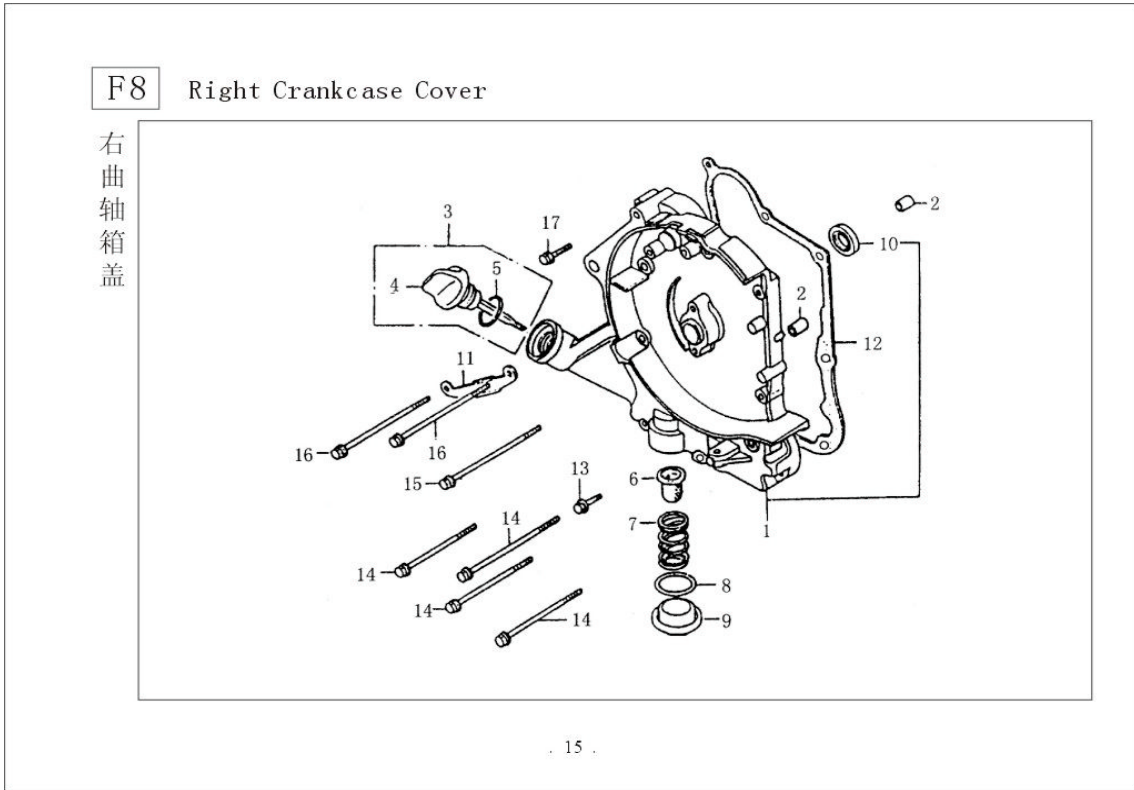


Bild Nr.:	Artiklenummer	Bezeichnung (e)	Menge
1	BT152QMI-030001 F8.1	Cover Crankcase Comp	1
2	BT152QMI-030002 F8.2	PIN Dowel	2
3	BT152QMI-030100 F8.3	Gauge Assy Oil Level	1
4	BT152QMI-030101 F8.4	Gauge Oil Level	1
5	BT152QMI-030102 F8.5	Gauge Oil Level O-Ring	1
6	BT152QMI-030005 F8.6	Screen Oil Filter	1
7	BT152QMI-030006 F8.7	Spring Oil Filter Screen	1
8	BT152QMI-030007 F8.8	O-Ring Oil Filter Cover	1
9	BT152QMI-030008 F8.9	Cap Tapper Adjusting Hole	1
10	BT152QMI-030009 F8.10	Oil Seal 19.8*30*5	1
11	BT152QMI-030200 F8.11	Clamper A.C. Generator Cord	1
12	BT152QMI-030003 F8.12	Gasket R. Crankcase Cover	1
13	GB/T 5787-1986 F8.13	Bolt Flange M6*32	1
14	GB/T 5787-1986 F8.14	Bolt Flange M6*95	4
15	GB/T 5787-1986 F8.15	Bolt Flange M6*100	1
16	GB/T 5787-1986 F8.16	Bolt Flange M6*110	2
17	GB/T 5787-1986 F8.17	Bolt Flange M6*40	1

BAOTIAN SMART RIDER 2006 BT125-T2

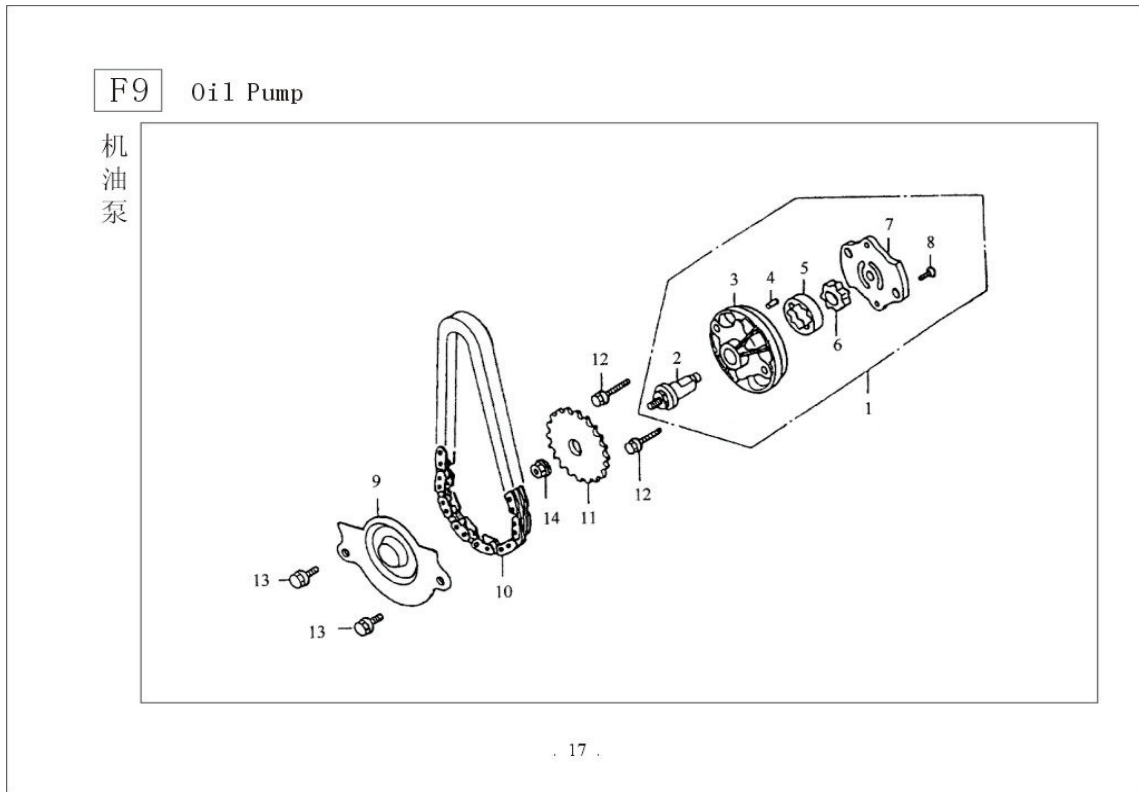


Bild Nr.:	Artiklenummer	Bezeichnung (e)	Menge
1	BT152QMI-100010 F9.1	Oil Pump Assy.	1
2	BT152QMI-100011 F9.2	Oil Pump Shaft	1
3	BT152QMI-100012 F9.3	Oil Pump Body	1
4	BT152QMI-100013 F9.4	Dowel Pin 4*6.5	1
5	BT152QMI-100014 F9.5	Outer Rotor, Oil Pump	1
6	BT152QMI-100015 F9.6	Inner Rotor, Oil Pump	1
7	BT152QMI-100016 F9.7	Plate	1
8	GB/T 818-1985 F9.8	Screw Pan M3*10	1
9	BT152QMI-100020 F9.9	Oil Separator	1
10	BT152QMI-100030 F9.10	Oil Pump Chain	1
11	BT152QMI-100040 F9.11	Driven Sprocket, Oil Pump	1
12	GB/T 5787-1986 F9.12	Bolt M6*25	2
13	GB/T 5787-1986 F9.13	Bolt M6*12	2
14	GB/T 5787-1986 F9.14	Nut M6	1

BAOTIAN SMART RIDER 2006 BT125-T2

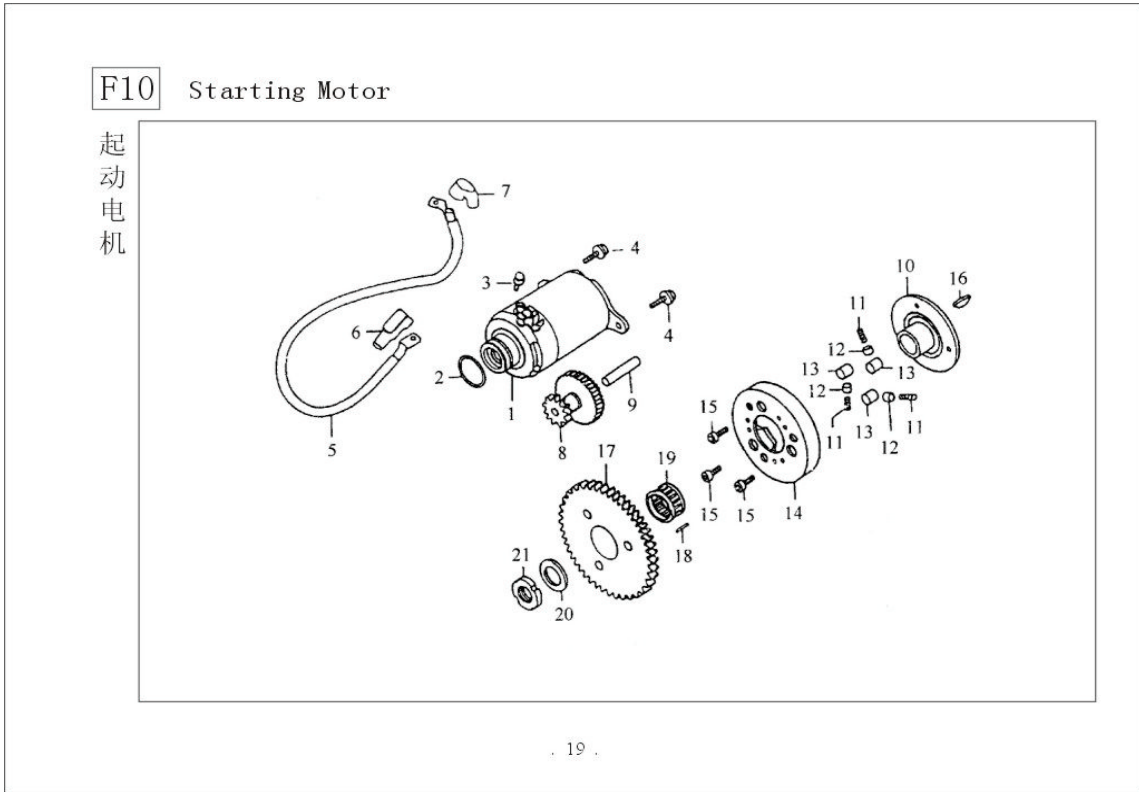
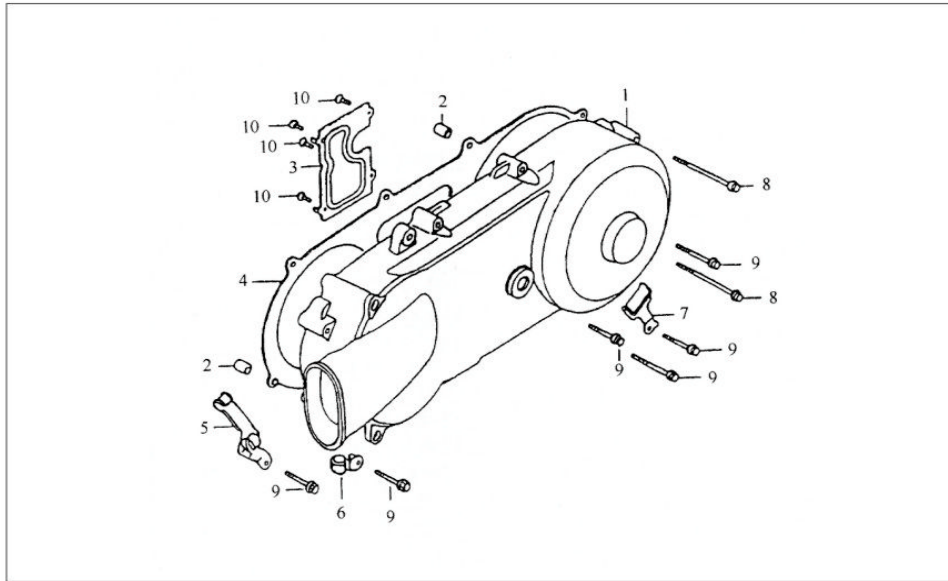


Bild Nr.:	Artiklenummer	Bezeichnung (e)	Menge
1	BT152QMI-120110 F10.1	Starting Motor Assy.	1
2	BT152QMI-120101 F10.2	O-Ring 24.4*3.1	1
3	GB/T 5787-1986 F10.3	Bolt Flange M5*8	1
4	GB/T 5787-1986 F10.4	Bolt Flange M6*16	2
5	BT152QMI-120210 F10.5	Starting Motor Cable	1
6	BT152QMI-120201 F10.6	Rubber Jacket A	1
7	BT152QMI-120202 F10.7	Rubber Jacket B	1
8	BT152QMI-110100 F10.8	Starter Reduction Gear	1
9	BT152QMI-110001 F10.9	Shaft, Starter Reduction Gear	1
10	BT152QMI-000901 F10.10	Flange, Starting Clutch	1
11	BT152QMI-000902 F10.11	Spring, Starting Clutch Roller	3
12	BT152QMI-000903 F10.12	Cap, Starting Clutch Roller Spring	3
13	BT152QMI-000904 F10.13	Roller 10*10	3
14	BT152QMI-000905 F10.14	Outer Comp, Starting Clutch	1
15	GB/T 70-1985 F10.15	Bolt Socket Cap 6*12	3
16	GB/T 1099-1979 F10.16	Woodruff Key	1
17	BT152QMI-000906 F10.17	Gear Comp, Starting Clutch	1
18	BT152QMI-000907 F10.18	Dowel Pin 5*6	1
19	BT152QMI-000908 F10.19	Needle Bearing	1
20	BT152QMI-000909 F10.20	Washer Thrust 18*31*1	1
21	GB/T 812-1988 F10.21	Nut M22	1

BAOTIAN SMART RIDER 2006 BT125-T2

F11 Left Crankcase Cover

左曲轴箱盖



. 21 .

Bild Nr.:	Artiklenummer	Bezeichnung (e)	Menge
1	BT152QMI-050001 F11.1	Left Cover	1
2	BT152QMI-050002 F11.2	Dowel Pin	2
3	BT152QMI-050003 F11.3	Left Cover Plate	1
4	BT152QMI-050004 F11.4	Gasket, Left Cover	1
5	BT152QMI-050010 F11.5	Clamper Throttle Cable	1
6	BT152QMI-050005 F11.6	Clamper Breather Drain Tube	1
7	BT152QMI-050006 F11.7	Clamper Brake Cable	1
8	GB/T 5787-1986 F11.8	Bolt M6*65	2
9	GB/T 5787-1986 F11.9	Bolt M6*40	6
10	GB/T 818-1986 F11.10	Screw Tapping M4*8	4

BAOTIAN SMART RIDER 2006 BT125-T2

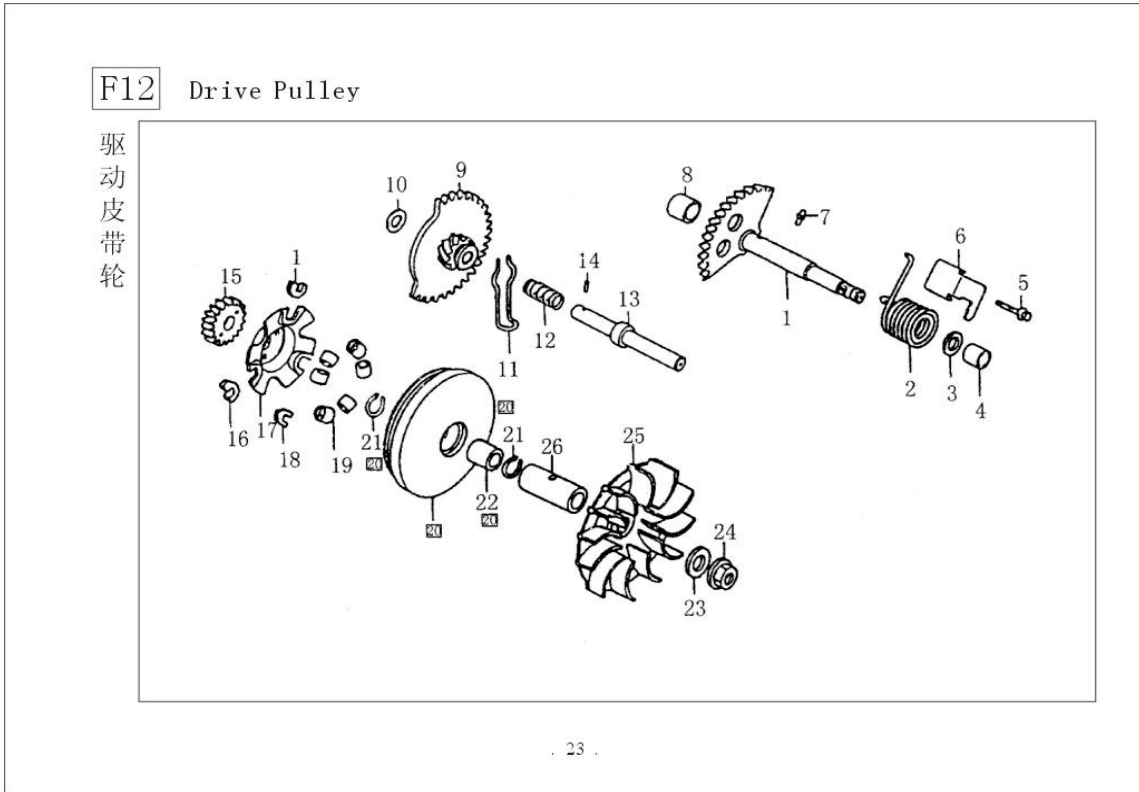
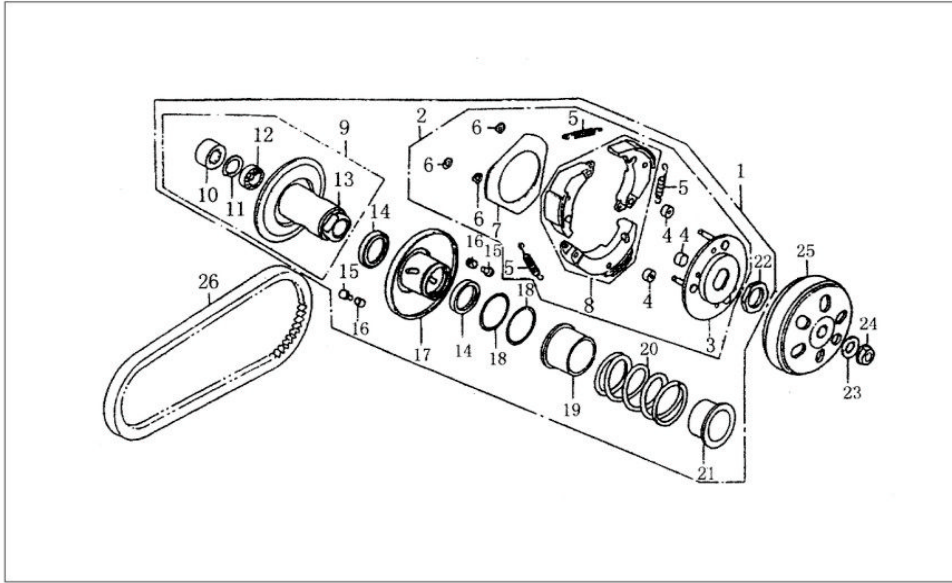


Bild Nr.:	Artikelnummer	Bezeichnung (e)	Menge
1	BT152QMI-000901 F12.1	Spindle Comp Kick Starter	1
2	BT152QMI-000902 F12.2	Spring Kick Starter	1
3	GB/T 97.1-1985 F12.3	Washer Φ 14	1
4	BT152QMI-000903 F12.4	Bush Kick Spindle 14*18*16	1
5	GB/T 5787-1986 F12.5	Bolt Flange M6*14	1
6	BT152QMI-000904 F12.6	Bush 12*16*12	1
7	BT152QMI-000905 F12.7	Pin Φ 4.5mm	1
8	BT152QMI-000906 F12.8	Bush 12*16*12	1
9	BT152QMI-000920 F12.9	Gear Comp Starter Idle (13T/49T)	1
10	GB/T 97.1-1985 F12.10	Washer Φ 12.5	1
11	BT152QMI-000921 F12.11	Spring Starter Gear Friction	1
12	BT152QMI-000922 F12.12	Spring Starter Idle	1
13	BT152QMI-000923 F12.13	Spring Starter Idle	1
14	BT152QMI-000924 F12.14	Roller 3*8.5	1
15	BT152QMI-000950 F12.15	Gear Kick Driven (20T)	1
16	BT152QMI-000951 F12.16	Piece Slide	3
17	BT152QMI-000952 F12.17	Plate Ramp	1
18	BT152QMI-000953 F12.18	Roller Set Weight	6
19	BT152QMI-000954 F12.19	Face Comp Movable Drive	1
20	GB/T 894.1-86-14 F12.20	Clip Φ 28	2
21	BT152QMI-000955 F12.21	Collar Drive Face	1
22	GB/T 97.1-1985 F12.22	Washer Plain Φ 12	1
23	GB/T 6177-1986 F12.23	Nut Flange M12	1
24	BT152QMI-000956 F12.24	Face Drive	1
25	BT152QMI-000957 F12.25	Boss Drive Face	1

BAOTIAN SMART RIDER 2006 BT125-T2

F13 Driven Pulley Assy

从动皮带轮组



. 25 .

Bild Nr.:	Artikelnummer	Bezeichnung (e)	Menge
1	BT152QMI-090000 F13.1	Pulley Assy. Driven	1
2	BT152QMI-090100 F13.2	Plate Assy Driven	1
3	BT152QMI-090101 F13.3	Plate Comp Driven	1
4	BT152QMI-090102 F13.4	Rubber Clutch Damper	3
5	BT152QMI-090103 F13.5	Spring Clutch	3
6	GB/T 896-86-5 F13.6	Circlip	3
7	BT152QMI-090104 F13.7	Plate Clutch Side	1
8	BT152QMI-091105 F13.8	Spring Clutch	1
9	BT152QMI-090200 F13.9	Weight Set Clutch	1
10	BT152QMI-090201 F13.10	Bearing Needle 20*29*18	1
11	GB/T 896-86-5 F13.11	Clip	1
12	6902U-LS GB/T 276-94 F13.12	Bearing	2
13	BT152QMI-090202 F13.13	Right Comp Driver	1
14	BT152QMI-090301 F13.14	Seal Driver Face 34*41*4	2
15	6902U-LS GB/T 276-94 F13.15	Pin Riller Guide	1
16	BT152QMI-090302 F13.16	Roller Guide	1
17	BT152QMI-090303 F13.17	Face Comp Movable Driven	1
18	BT152QMI-090304 F13.18	O-Ring Pinion Cap	2
19	BT152QMI-090305 F13.19	Collar Seal	1
20	BT152QMI-090306 F13.20	Spring Driven Face	1
21	BT152QMI-090307 F13.21	Collar Spring	1
22	BT152QMI-090001 F13.22	R. Tust Plange M28	1
23	GB/T 97.1-1985 F13.23	Washer Plain Φ 12	1
24	GB/T 6177-1986 F13.24	Nut Compressor Flange	1
25	BT152QMI-090002 F13.25	Outer Clutch	1
26	BT152QMI-000005 F13.26	Belt Drive	1

BAOTIAN SMART RIDER 2006 BT125-T2

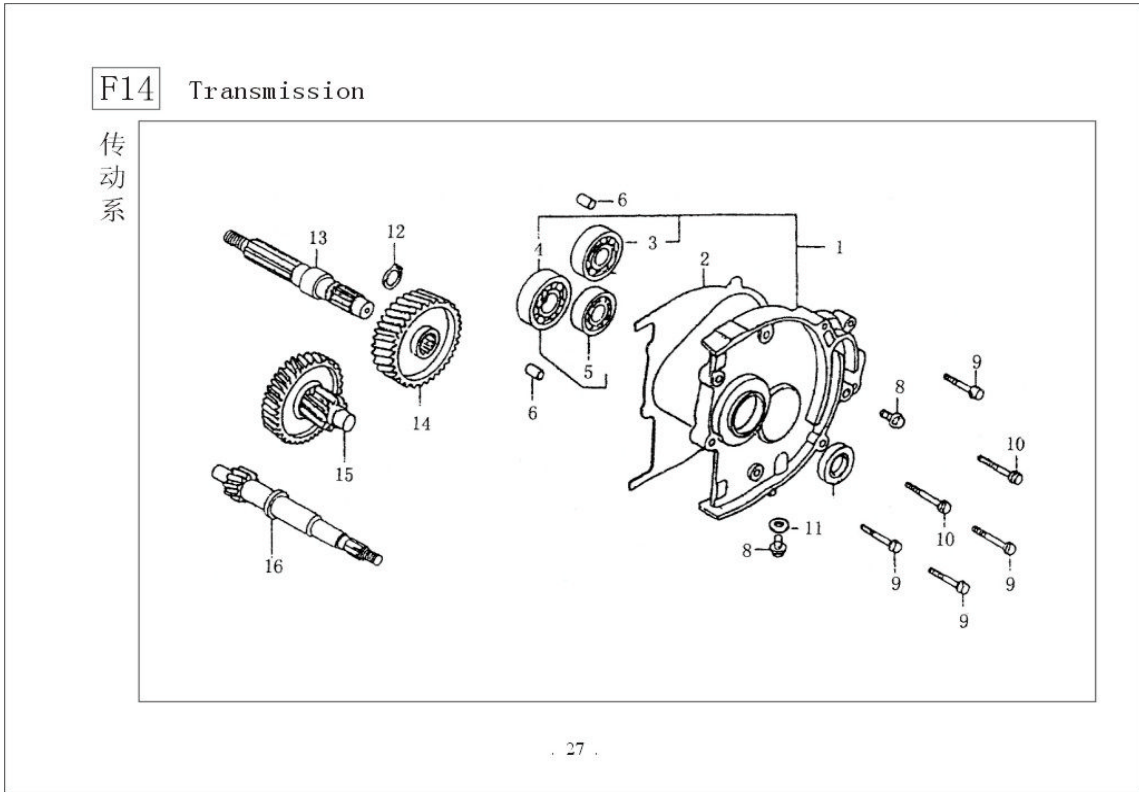


Bild Nr.:	Artiklenummer	Bezeichnung (e)	Menge
1	BT152QMI-150001 F14.1	Cover Mission Assy.	1
2	BT152QMI-000006 F14.2	Gasket Mission Cover	1
3	6203 GB/T 276-94 F14.3	Bearing Radial Ball 6203	1
4	6203 GB/T 276-94 F14.4	Bearing Radial Ball 6204	1
5	6203 GB/T 276-94 F14.5	Bearing Radial Ball 6202	1
6	BT152QMI-150002 F14.6	Pin Dowel	2
7	BT152QMI-150100 F14.7	Oil Seal 20*32*6	1
8	BT152QMI-150003 F14.8	Nut M8	2
9	GB/T 5787-1986 F14.9	Bolt Flange M6*28	4
10	GB/T 5787-1986 F14.10	Bolt Flange M6*35	2
11	GB/T 97.1-1985 F14.11	Washer Φ8	1
12	GB896-86-5 F14.12	Clip	1
13	BT152QMI-150004 F14.13	Shaft Final	1
14	BT152QMI-150005 F14.14	Gear Final	1
15	BT152QMI-150006 F14.15	Shaft Comp Counter	1
16	BT152QMI-150007 F14.16	Shaft Drive	1

BAOTIAN SMART RIDER 2006 BT125-T2

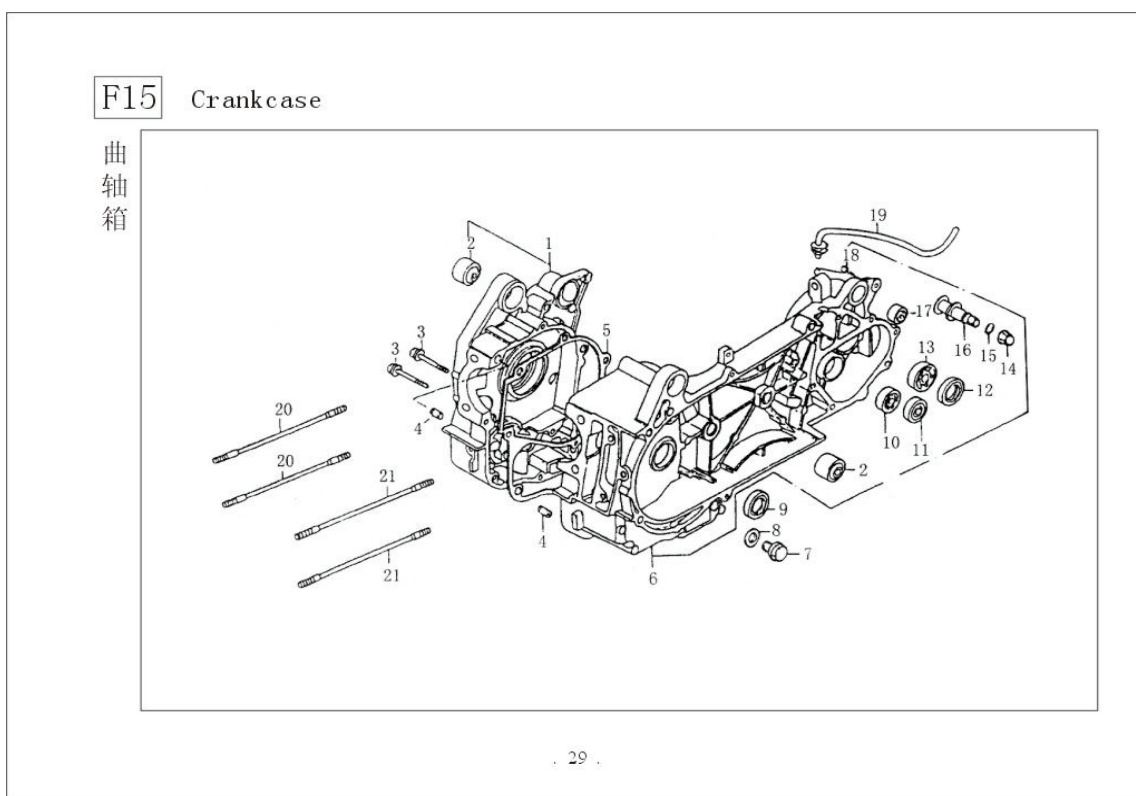


Bild Nr.:	Artiklenummer	Bezeichnung (e)	Menge
1	BT152QMI-040100 F15.1	Crankcase Assy R.	1
2	BT152QMI-040001 F15.2	Bush Engine Hanger Rubber	2
3	GB/T 5787-1986 F15.3	Bolt Flange M6*50	2
4	BT152QMI-040002 F15.4	Pin Dowel	2
5	BT152QMI-000007 F15.5	Gasket Crankcase	1
6	BT152QMI-050100 F15.6	Crankcase Assy L.	1
7	BT152QMI-050001 F15.7	Dram Plug	1
8	GB97.1-1985 F15.8	Washer Drain Plug Φ 12	1
9	BT152QMI-050300 F15.9	Oil Seal 19.8*30*5	1
10	BT152QMI-050400 F15.10	Oil Seal 27*42*7	1
11	6201 GB/T 276-94 F15.11	Bearing Radial Ball 6201	1
12	6201 GB/T 276-94 F15.12	Bearing Radial Ball 6202	1
13	6201 GB/T 276-94 F15.13	Bearing Radial Ball 6204	1
14	GB/T 6177-1986 F15.14	Nut Flange M8	1
15	BT152QMI-050002 F15.15	O-Ring	1
16	BT152QMI-050003 F15.16	Pin Brake Shoe Anchor	1
17	BT152QMI-050004 F15.17	Bush RR Cushion Under Rubber	1
18	BT152QMI-050005 F15.18	Rubber Spring Guide	2
19	BT152QMI-050006 F15.19	Tube Breather	1
20	BT152QMI-050008 F15.20	Bolt 2-Stud 8*187.5	2
21	BT152QMI-050009 F15.21	Bolt 2-Stud 8*195.5	2

BAOTIAN SMART RIDER 2006 BT125-T2

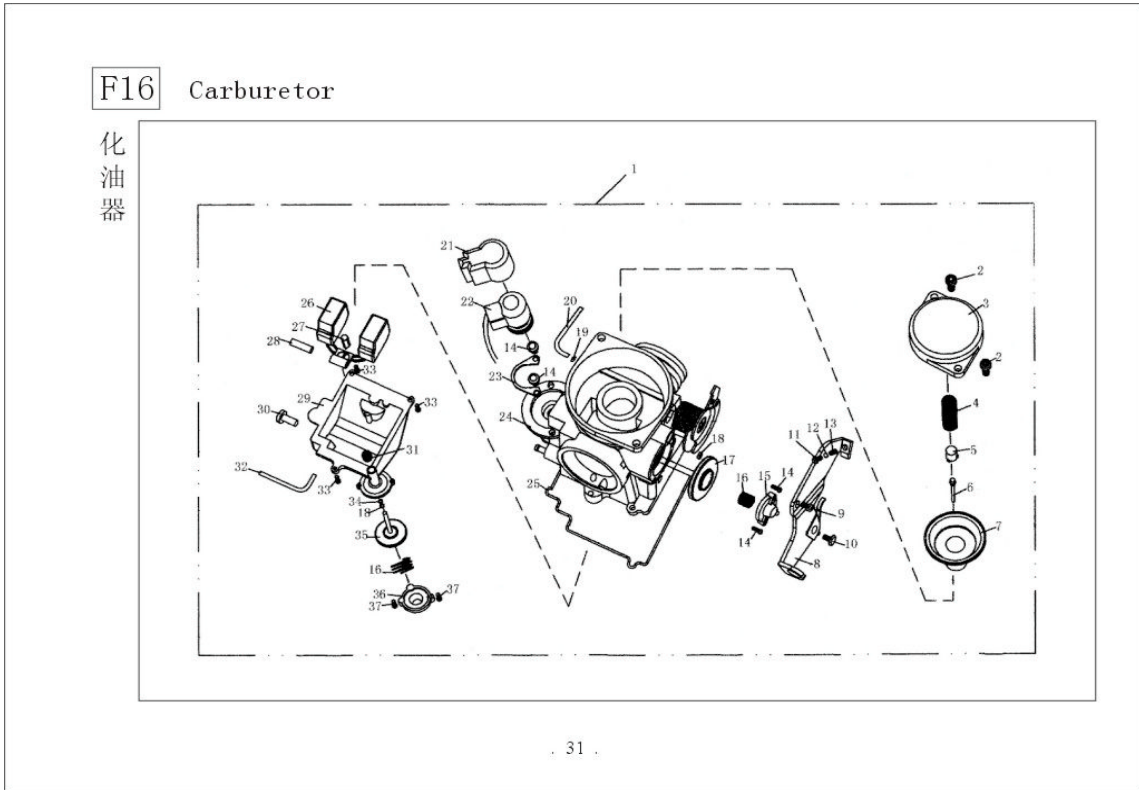


Bild Nr.:	Artikelnummer	Bezeichnung (e)	Menge
1	BT139QMB-140000 F16.1	Carburebot	1
2	BT139QMB-140001 F16.2	Screw Spring Plate	2
3	BT139QMB-140002 F16.3	Spring Plate	1
4	BT139QMB-140003 F16.4	Plate Spring	1
5	BT139QMB-140004 F16.5	Spring Socket	1
6	BT139QMB-140005 F16.6	Jet Carburetor	1
7	BT139QMB-140100 F16.7	Piston Comp. Vacuum Assy	1
8	BT139QMB-140200 F16.8	Control Lever Of Carburetor	1
9	GB/T 818-1985 F16.9	Screw	1
10	GB/T 818-1985 F16.10	Screw	1
11	GB/T 818-1985 F16.11	Screw	1
12	GB97.1 F16.12	Washer	1
13	BT139QMB-140006 F16.13	Spring	1
14	GB/T 818-1985 F16.14	Screw	4
15	BT139QMB-140007 F16.15	Acv Valve Cover	1
16	BT139QMB-140008 F16.16	Spring, Acv Valve	2
17	BT139QMB-140009 F16.17	Acv Valve	1
18	BT139QMB-140010 F16.18	Sealing Ring	2
19	BT139QMB-140011 F16.19	Clip, tube	1
20	BT139QMB-140012 F16.20	Breather Tube	1
21	BT139QMB-140013 F16.21	Cap, Starter valve	1
22	BT139QMB-140400 F16.22	Valueset, starter Assy	1
23	BT139QMB-140014 F16.23	Starter Cocket	1
24	BT139QMB-140500 F16.24	Carburetor Body	1
25	BT139QMB-140015 F16.25	Seal, Float Chamber	1
26	BT139QMB-140016 F16.26	Float	1
27	BT139QMB-140600 F16.27	Float Valve Assy.	1
28	BT139QMB-140017 F16.28	Pin, Float Valve	1

BAOTIAN SMART RIDER 2006 BT125-T2

29	BT139QMB-140018	F16.29	Carburetor Cover	1
30	BT139QMB-140019	F16.30	Screw, Fuel Leakage	1
31	BT139QMB-140020	F16.31	Dust Seal Cap	1
32	BT139QMB-140021	F16.32	Over Flow Tube	1
33	GB/T 818-1985	F16.33	Screw	3
34	BT139QMB-140022	F16.34	Sealing Ring	1
35	BT139QMB-140700	F16.35	Plug Pump Assy	1
36	BT139QMB-140023	F16.36	Pump Down Cover	1
37	GB/T 818-1985	F16.37	Screw	2

BAOTIAN SMART RIDER 2006 BT125-T2

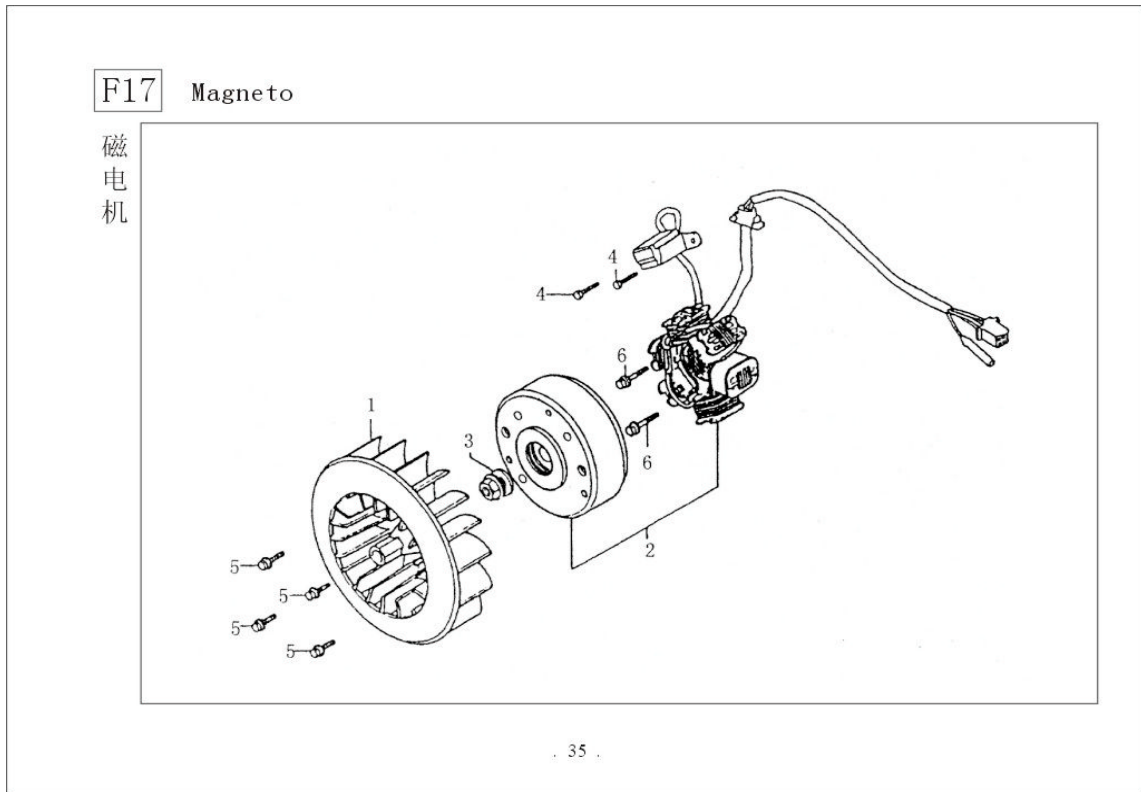


Bild Nr.:	Artikelnummer	Bezeichnung (e)	Menge
1	BT152QMI-130200 F17.1	Fan Comp, Cooling	1
2	BT152QMI-130100 F17.2	Generator Assy	1
3	GB/T 6187-1986 M10 F17.3	R.Nut, Crankcase	1
4	GB/T 5787-1985 M5*12 F17.4	Bolt M5*12	2
5	GB/T 5787-1985 M6*16 F17.5	Bolt M6*16	4
6	GB/T 5787-1985 M6*25 F17.6	Bolt M6*25	1

BAOTIAN SMART RIDER 2006 BT125-T2

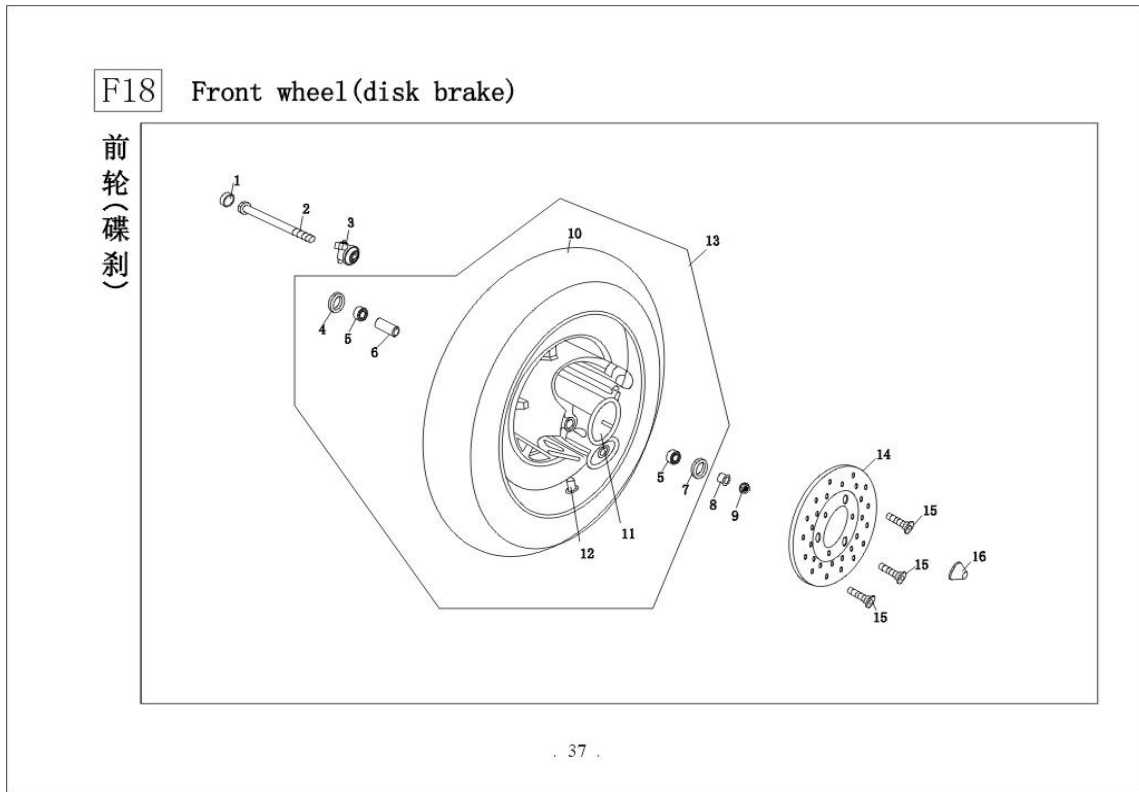
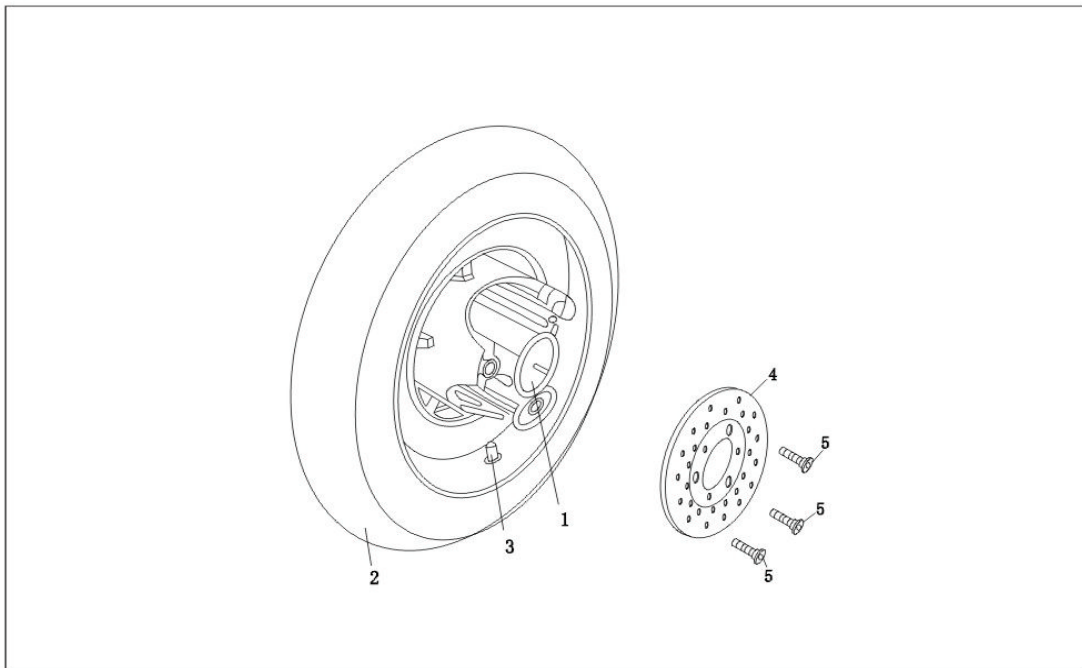


Bild Nr.:	Artiklenummer	Bezeichnung (e)	Menge
1	BT50QT-9-060004 F18.1	Left rubber cap	1
2	BT49QT-7-060003 F18.2	Axle Fr.wheel	1
3	BT49QT-7-060200 F18.3	Gear box assy., speed	1
4	BT50QT-9-060110A F18.4	Seal dust	1
5	GB278 F18.5	Bearing 6201	2
6	BT49QT-7-060101 F18.6	Center set	1
7	BT50QT-9-060120A F18.7	Seal dust	1
8	BT50QT-9-060002A F18.8	Collar	1
9	GB/T 6187-1986 F18.9	Nut M12*1.25	1
10	GB/T 2983-1997 F18.10	Tyre assy. 120/70-12	1
11	BT49QT-7-060110 F18.11	Front wheel	1
12	BT49QT-7-060300 F18.12	Valve rim	1
13	BT49QT-7-060100 F18.13	Front wheel assy.	1
14	BT49QT-7-060001 F18.14	Disk brake	1
15	BT49QT-7-060002 F18.15	Disk brake bolt	3
16	BT50QT-9-060005 F18.16	Right rubber cap	1

F19 Rear wheel(disk brake)

后轮(碟刹)



. 39 .

Bild Nr.:	Artiklenummer	Bezeichnung (e)	Menge
1	BT125T-2-360110 F19.1	Front wheel	1
2	GB/T 2983-1997 F19.2	Tyre assy. 120/90-12	1
3	BT125T-2-360300 F19.3	Valve rim	1
4	BT125T-2-340001 F19.4	Disk brake	1
5	BT125T-2-340002 F19.5	Disk brake bolt	3

BAOTIAN SMART RIDER 2006 BT125-T2

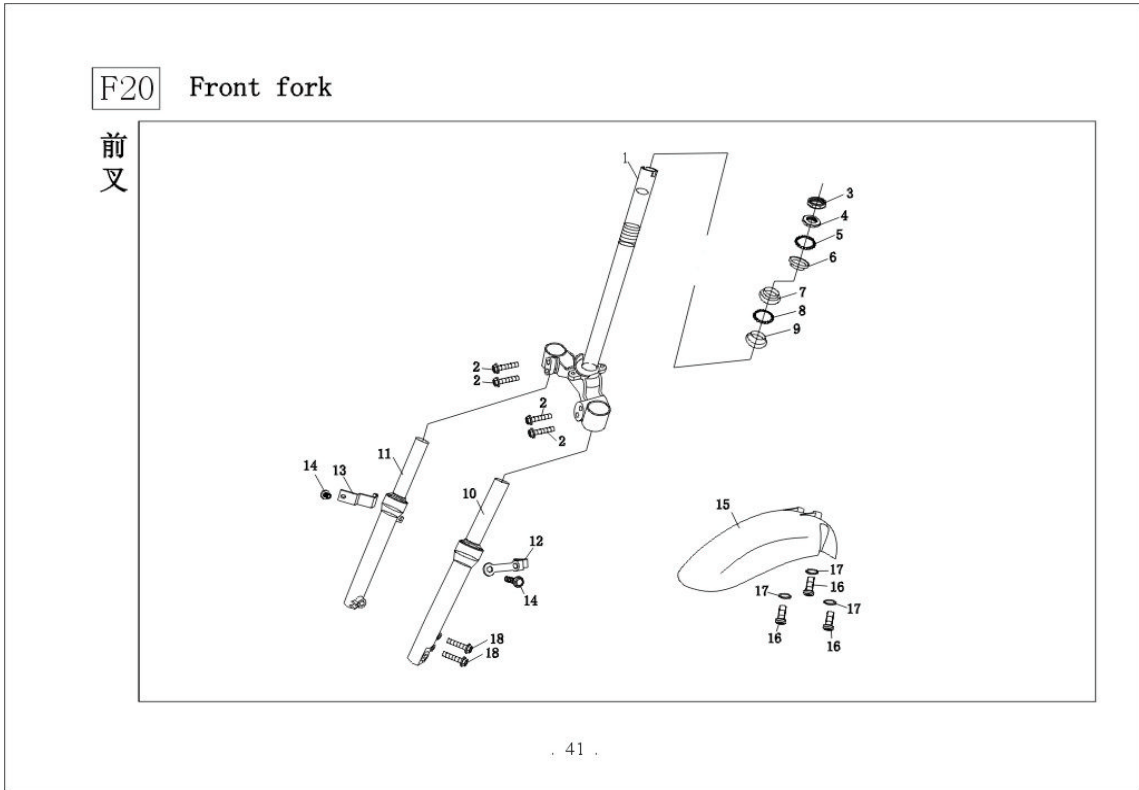


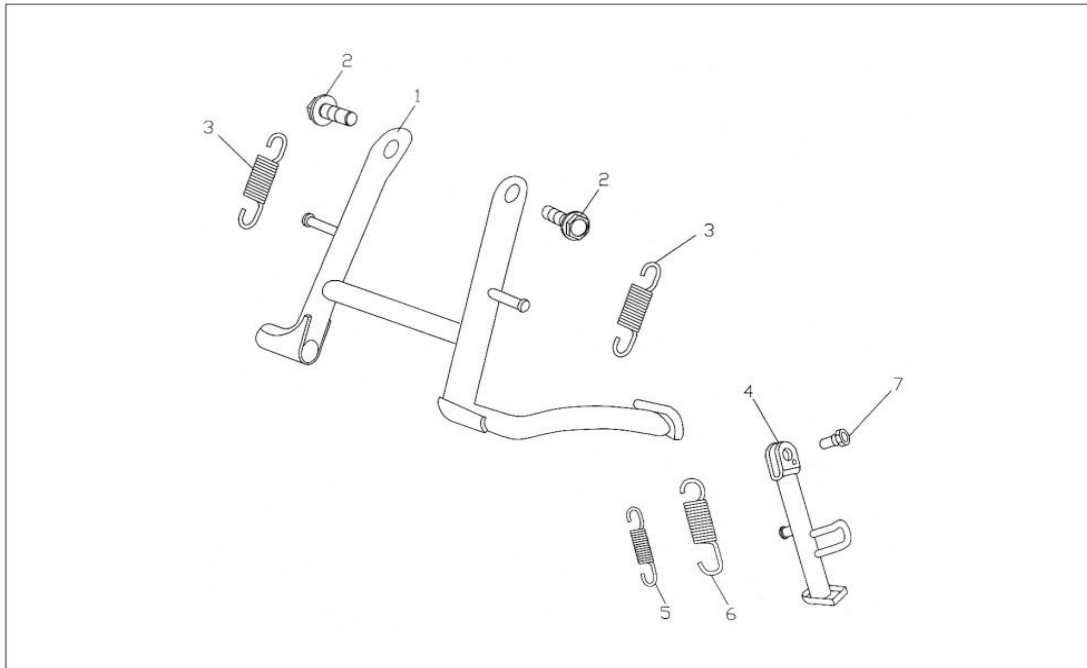
Bild Nr.:	Artiklenummer	Bezeichnung (e)	Menge
1	BT49QT-7-080200 F20.1	Steering column welding assy.	1
2	GB/T 5789-1986 F20.2	Bolt flange M8*45	4
3	BT50QT-9-080001 F20.3	Assembling nut, steering column	1
4	BT50QT-9-080302 F20.4	Race strg top cone	1
5	BT50QT-9-080310 F20.5	Ball steel assy.	1
6	BT50QT-9-080301 F20.6	Race upper strg ball	1
7	BT50QT-9-080401 F20.7	Race under strg ball	1
8	BT50QT-9-080410 F20.8	Ball steel assy.	1
9	BT50QT-9-080402 F20.9	Race strg ball cone	1
10	BT49QT-7-080110 F20.10	Front cushion assy. (L)	1
11	BT49QT-7-080120 F20.11	Front cushion assy. (R)	1
12	BT49QT-7-080003 F20.12	Clip of oil tube	1
13	BT49QT-7-080004 F20.13	Clip of odometer tube	1
14	GB/T 5789-1986 F20.14	Bolt flange M6*12	2
15	BT49QT-7-150001 F20.15	Front fender	1
16	GB/T 818-1985 F20.16	Bolt M5*16	3
17	GB/T 97.1-1985 F20.17	Washer Φ6	3
18	GB/T 5789-1986 F20.18	Bolt flange M8*35	2

BAOTIAN SMART RIDER 2006 BT125-T2

F21 Center stand assy./Side stand assy.

主
支
架

侧
支
架



. 43 .

Bild Nr.:	Artiklenummer	Bezeichnung (e)	Menge
1	BT125T-2-090300 F21.1	Center stand assy.	1
2	GB/T 5789-1986 F21.2	Bolt M10*25	2
3	BT50QT-9-000502 F21.3	Spring, center stand	2
4	BT125T-2-090200 F21.4	Side stand welding assy.	1
5	BT50QT-9-090004 F21.5	Spring, side stand	1
6	BT50QT-9-090005 F21.6	Spring, side stand	1
7	BT49QT-7-090003 F21.7	Bolt, side stand	1

BAOTIAN SMART RIDER 2006 BT125-T2

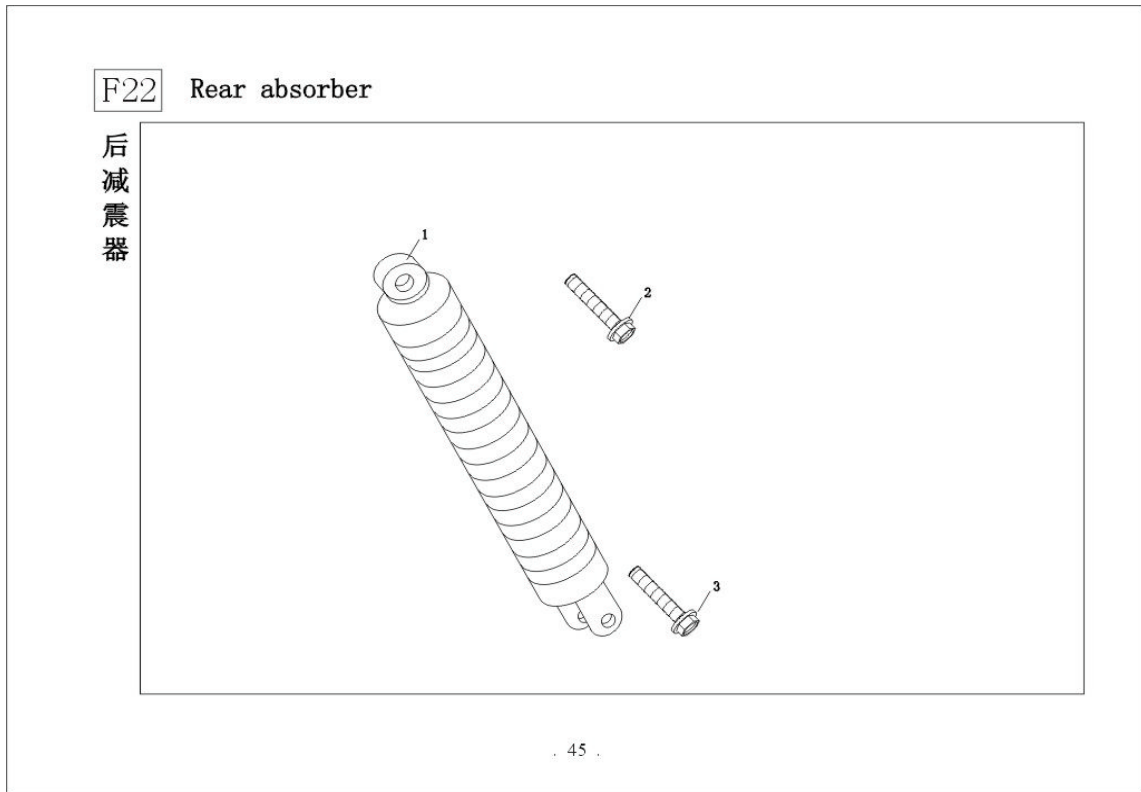
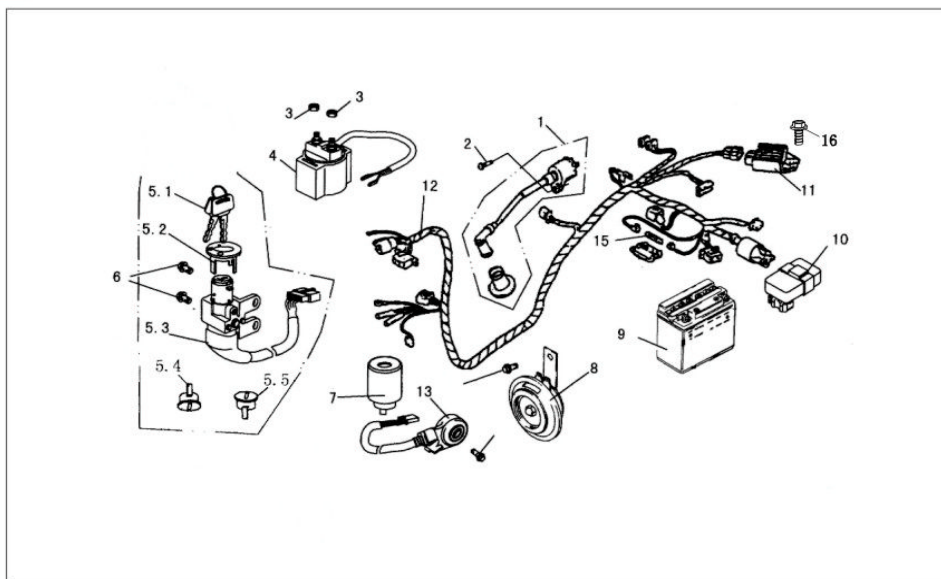


Bild Nr.:	Artiklenummer	Bezeichnung (e)	Menge
1	BT49QT-7-380100 F22.1	Rear absorber	1
2	GB/T 5789-1986 F22.2	Bolt flange M10*45	1
3	GB/T 5789-1986 F22.3	Bolt flange M8*35	1

BAOTIAN SMART RIDER 2006 BT125-T2

F23 Wire harness

主
电
缆

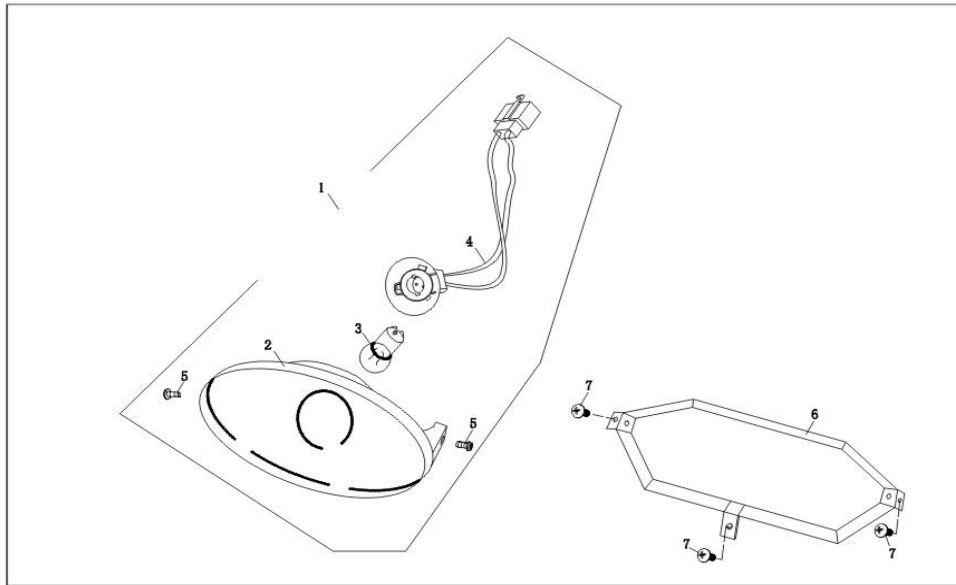


. 47 .

Bild Nr.:	Artiklenummer	Bezeichnung (e)	Menge
1	BT50QT-9-180600 F23.1	Coil assy., ignition	1
2	GB/T 818-1985 F23.2	Bolt M6*20	1
3	GB/T 6177-1986 F23.3	Nut M6	2
4	BT50QT-9-180400 F23.4	Switch assy. Starter magnetic	1
5	BT49QT-7-180900 F23.5	Ignition switch assy.	1
6	GB/T 5783-1986 F23.6	Bolt M6*16	2
7	BT50QT-9-180700 F23.7	Buzzer flicker relay	1
8	BT50QT-9-181000 F23.8	Horn	1
9	BT50QT-11-181200 F23.9	Battery	1
10	BT50QT-9-180500 F23.10	CDI	1
11	BT50QT-9-180300 F23.11	Rectifier comp. Regulate	1
12	BT49QT-7-180100 F23.12	Wire harness	1
13	BT50QT-9-181800 F23.13	(OFF) switch assy.	1
14	GB/T 5789-1986 F23.14	Bolt M6*16	2
15	BT50QT-9-180201 F23.15	Fuse	1
16	GB/T 5789-1986 F23.16	Bolt M6*12	1
5,1	BT49QT-7-180901 F23.5.1	Key	1
5,2	BT49QT-7-180902 F23.5.2	Ignition switch cap	1
5,3	BT49QT-7-180903 F23.5.3	Ignition switch	1
5,4	BT49QT-7-181100 F23.5.4	Front luggage box lock	1
5,5	BT49QT-7-181000 F23.5.5	Seat lock	1

F24 Head light assy.

前
大
灯



. 49 .

Bild Nr.:	Artiklenummer	Bezeichnung (e)	Menge
1	BT49QT-7-180200 F24.1	Head light assy.	1
2	BT49QT-7-180210 F24.2	Fr. Head light, cover	1
3	BT49QT-7-180230 F24.3	Head light bulb	1
4	BT49QT-7-180240 F24.4	Lamp socket	1
5	GB/T 818-1985 F24.5	Bolt M5*8	2
6	BT49QT-7-181200 F24.6	Bracket, Fr. Head light	1
7	GB/T 845-1985 F24.7	Screw tapping ST4.2*13	3

BAOTIAN SMART RIDER 2006 BT125-T2

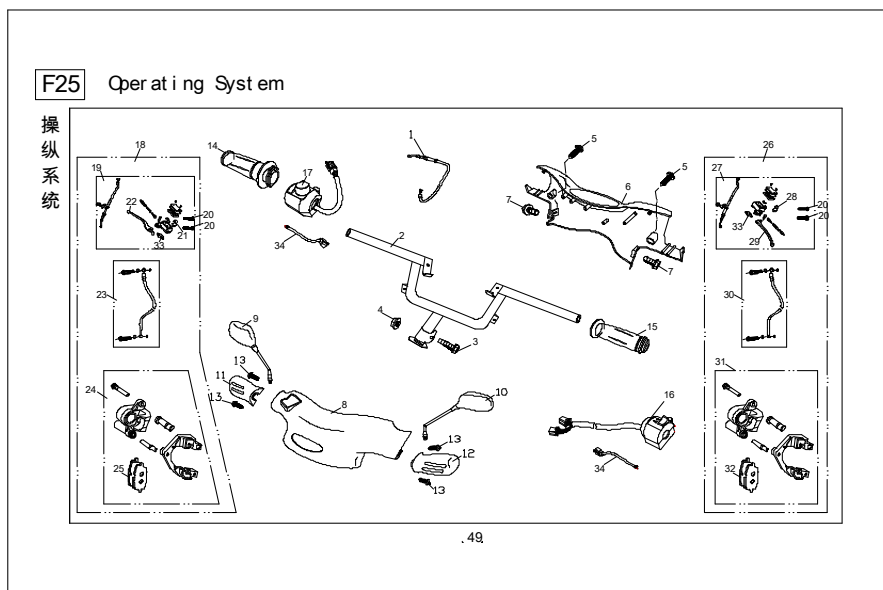


Bild Nr.:	Artikelnummer	Bezeichnung (e)	Menge
1	BT49QT-7-110300 F25.1	Throttle link assy.	1
2	BT49QT-7-110100 F25.2	Direction handle	1
3	GB/T 5789-1986 F25.3	Bolt M10*45	1
4	GB/T 6187-1986 F25.4	Nut M10*1.25	1
5	GB/T 845-1985 F25.5	Screw tapping ST4.2*16	2
6	BT49QT-7-160002 F25.6	Rear part, head cover	1
7	GB/T 5789-1986 F25.7	Bolt flange M6*12	2
8	BT49QT-7-160001 F25.8	Front part, head cover	1
9	BT50QT-9-110300 F25.9	R. mirror comp back	1
10	BT50QT-9-110200 F25.10	L. mirror comp back	1
11	BT49QT-7-160004 F25.11	R. protect mulch	1
12	BT49QT-7-160003 F25.12	L. protect mulch	1
13	GB/T 845-1985 F25.13	Screw tapping ST4.2*13	4
14	BT50QT-9-110400 F25.14	Crip throttle assy.	1
15	BT50QT-9-110001 F25.15	Left grip	1
16	BT50QT-9-181200 F25.16	L. handle switch assy.	1
17	BT50QT-9-181300 F25.17	R. handle switch assy.	1
18	BT49QT-7-140000 F25.18	Disk brake assy. (Fr.)	1
19	BT49QT-7-140100 F25.19	Master oil cylinder assy. (Fr.)	1
20	GB/T 5787-1986 F25.20	Bolt M6*22	4
21	BT49QT-7-140101 F25.21	Bracker, master cylinder	1
22	BT49QT-7-140102 F25.22	R. brake handle	1
23	BT49QT-7-140200 F25.23	Brake hose assy. (Fr.)	1
24	BT49QT-7-140300 F25.24	Caliper assy. (Fr.)	1
25	BT49QT-7-140310 F25.25	Brake shoe assy. (Fr.)	1
26	BT125T-2-340000 F25.26	Disk brake assy. (Rear)	1
27	BT125T-2-340100 F25.27	Master oil cylinder assy. (Rear)	1
28	BT125T-2-340101 F25.28	Bracket, master cylinder	1
29	BT125T-2-340102 F25.29	L. brake handle	1
30	BT125T-2-340200 F25.30	Brake hose assy. (Rear)	1
31	BT125T-2-340300 F25.31	Caliper assy. (Rear)	1
32	BT125T-2-340310 F25.32	Brake shoe assy. (Rear)	1

BAOTIAN SMART RIDER 2006 BT125-T2

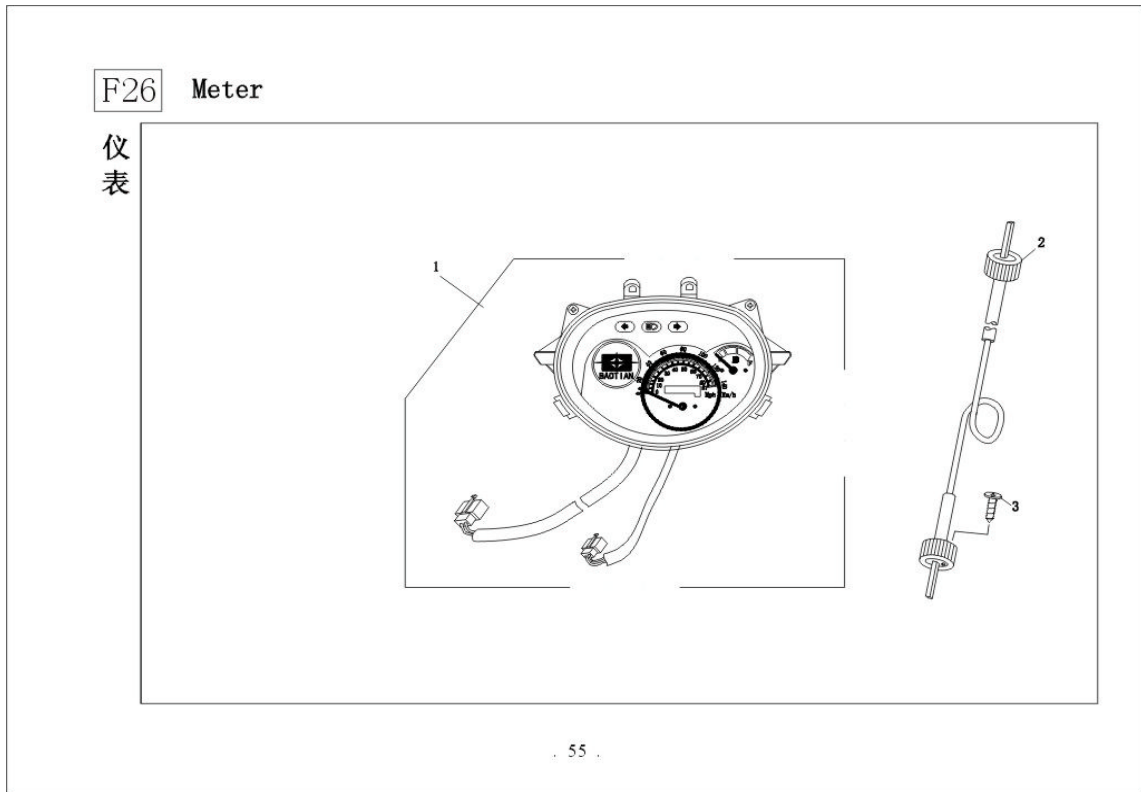
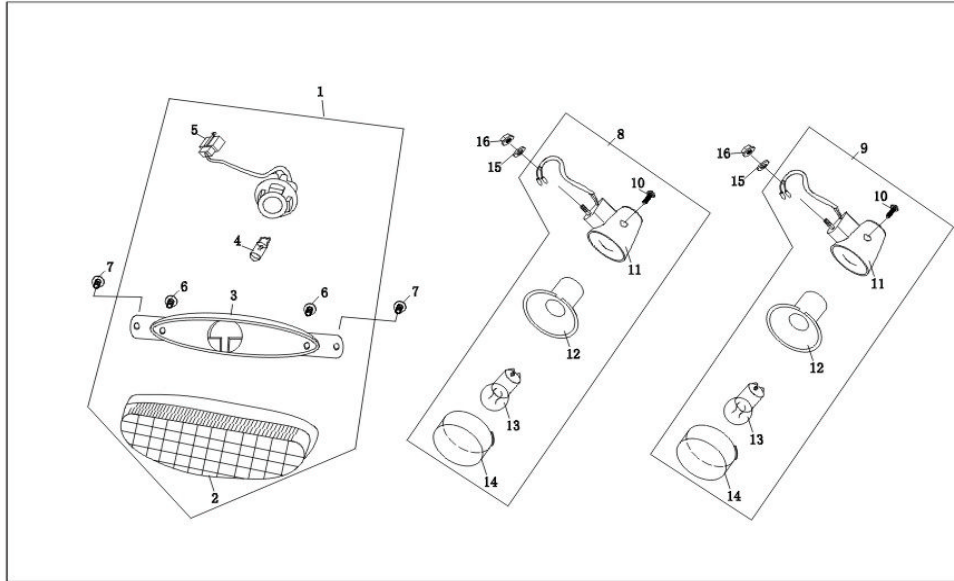


Bild Nr.:	Artikelnummer	Bezeichnung (e)	Menge
1	BT49QT-7-190100 F26.1	Meter assy.	1
2	BT49QT-7-190200 F26.2	Odometer tube	1
3	GB/T 819-1985 F26.3	Bolt M5*16	1

BAOTIAN SMART RIDER 2006 BT125-T2

F27 Front winker/Front lamp assy.

方向灯
前位置灯



. 57 .

Bild Nr.:	Artiklenummer	Bezeichnung (e)	Menge
1	BT49QT-7-180300 F27.1	Fr. Lamp assy.	1
2	BT49QT-7-180301 F27.2	Fr. Lamp cover	1
3	BT49QT-7-180302 F27.3	Base, Fr. Lamp	1
4	BT49QT-7-180303 F27.4	Fr. Lamp bulb	1
5	BT49QT-7-180310 F27.5	Setting socket, Fr. Lamp	1
6	GB/T 845-1985 F27.6	Screw tapping ST4.2*16	2
7	GB/T 845-1985 F27.7	Screw tapping ST4.2*13	2
8	BT49QT-7-180500 F27.8	Front winker assy. (R)	1
9	BT49QT-7-180400 F27.9	Front winker assy. (L)	1
10	GB/T 5282-1985 F27.10	Screw tapping ST2.9*25	2
11	BT49QT-7-180410 F27.11	Setting socket, Fr. Winker	2
12	BT49QT-7-180401 F27.12	Base, Fr. Winker	2
13	BT49QT-7-180402 F27.13	Winker bulb	2
14	BT49QT-7-180403 F27.14	Lens, Fr. Winker	2
15	GB/T 97.1-1985 F27.15	Washer 5	2
16	GB/T 6170-1986 F27.16	Nut M5	2

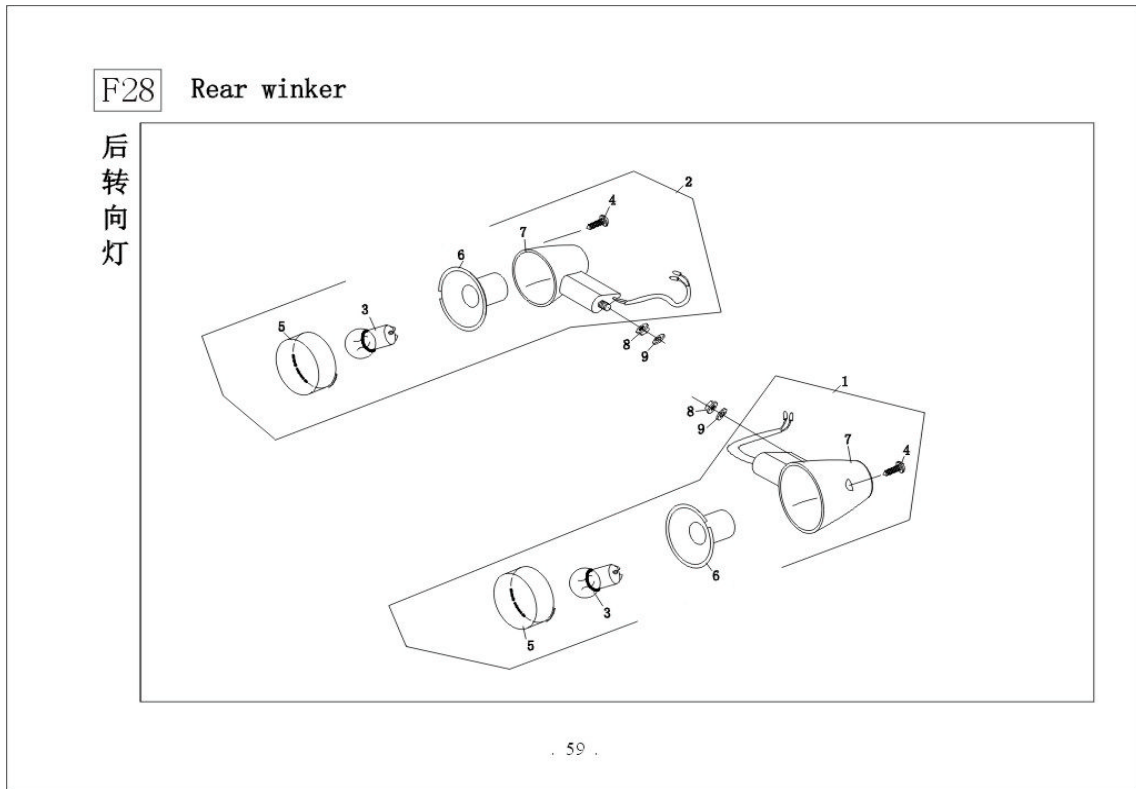
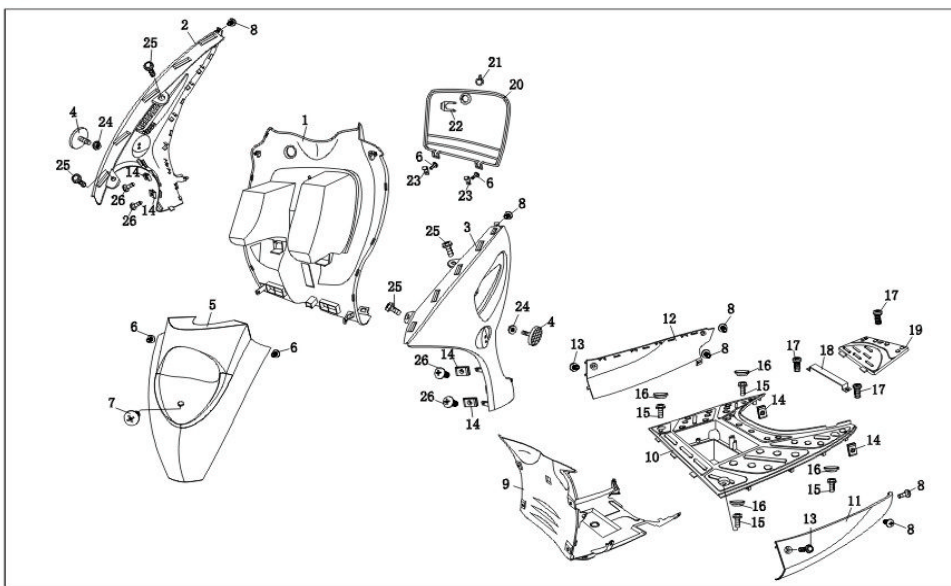


Bild Nr.:	Artiklenummer	Bezeichnung (e)	Menge
1	BT49QT-7-180600 F28.1	Rear winker assy. (L)	1
2	BT49QT-7-180700 F28.2	Rear winker assy. (R)	1
3	BT49QT-7-180601 F28.3	Winker bulb	2
4	GB/T 5282-1985 F28.4	Screw tapping ST2.9*25	2
5	BT49QT-7-180602 F28.5	Lens, rear winker	2
6	BT49QT-7-180603 F28.6	Base, rear winker	2
7	BT49QT-7-180610 F28.7	Setting socket, rear winker	2
8	GB/T 6170-1986 F28.8	Nut M5	2
9	GB/T 97.1-1985 F28.9	Washer 5	2

BAOTIAN SMART RIDER 2006 BT125-T2

F29 Front cover/Pedal

前罩
脚踏板



. 61 .

Bild Nr.:	Artikelnummer	Bezeichnung (e)	Menge
1	BT49QT-7-030001 F29.1	Fr. Luggage box	1
2	BT49QT-7-030007 F29.2	Protect cover Fr. Luggage box (R)	1
3	BT49QT-7-030006 F29.3	Protect cover Fr. Luggage box (L)	1
4	BT50QT-11-050003 F29.4	Reflector	2
5	BT49QT-7-020001 F29.5	Front cover	1
6	GB/T 845-1985 F29.6	Screw tapping ST4.2*16	4
7	GB/T 818-1985 F29.7	Bolt M6*12	1
8	GB/T 845-1985 F29.8	Screw tapping ST4.2*13	6
9	BT49QT-7-090012 F29.9	Fender comp, Frame body	1
10	BT49QT-7-050001 F29.10	Pedal	1
11	BT49QT-7-070001 F29.11	Left side cover	1
12	BT49QT-7-070002 F29.12	Right side cover	1
13	GB/T 818-1985 F29.13	Bolt M6*12	2
14	BT50QT-9-050007 F29.14	Clip (4.2)	6
15	GB/T 5789-1986 F29.15	Bolt M6*20	4
16	BT49QT-7-050004 F29.16	Plastic cap	4
17	GB/T 818-1985 F29.17	Bolt M5*12	3
18	BT49QT-7-050003 F29.18	Battery press board	1
19	BT49QT-7-050002 F29.19	Battery box cover	1
20	BT49QT-7-030020 F29.20	Cover, Fr. Luggage box	1
21	BT49QT-7-181100 F29.21	Lock, Fr. Luggage box	1
22	BT49QT-7-181101 F29.22	Fixation patch, Lock	1
23	BT49QT-7-030009 F29.23	Clip, Fr. Luggage box cover	2
24	GB/T 6177-1986 F29.24	Nut M6	2
25	GB/T 5789-1986 F29.25	Bolt M6*12	4
26	GB/T 845-1985 F29.26	Screw tapping ST4.8*13	4

BAOTIAN SMART RIDER 2006 BT125-T2

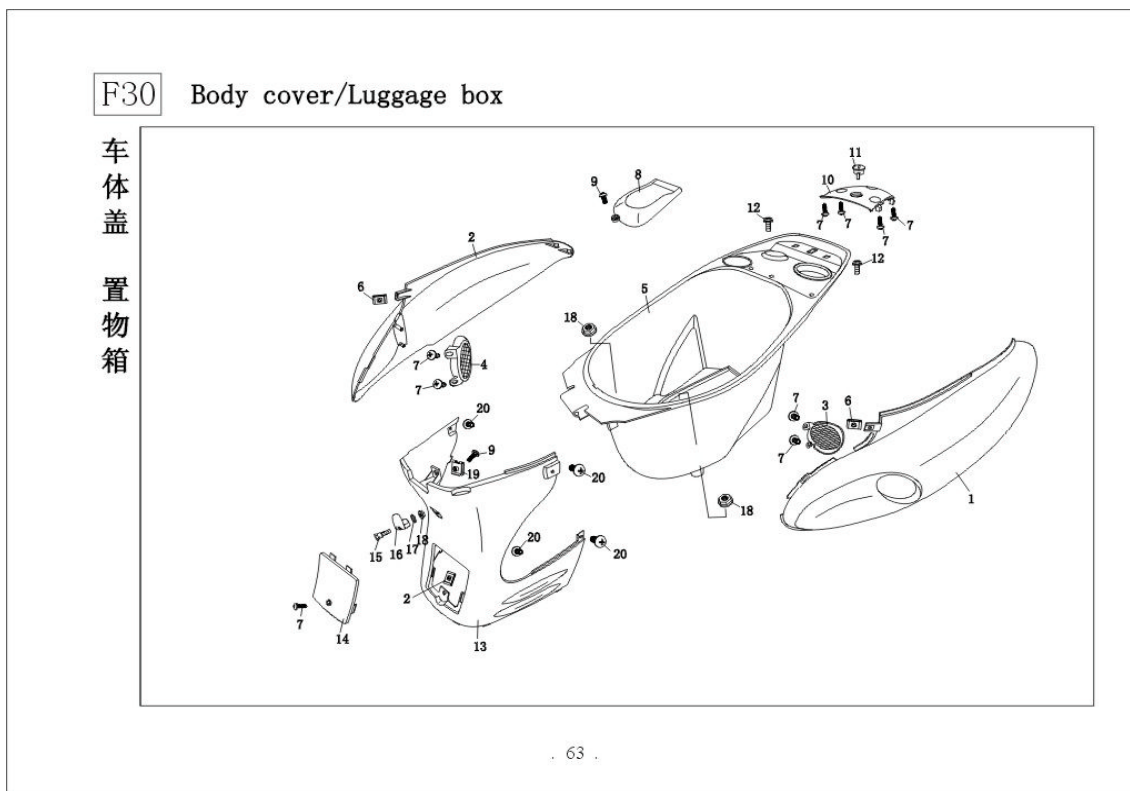
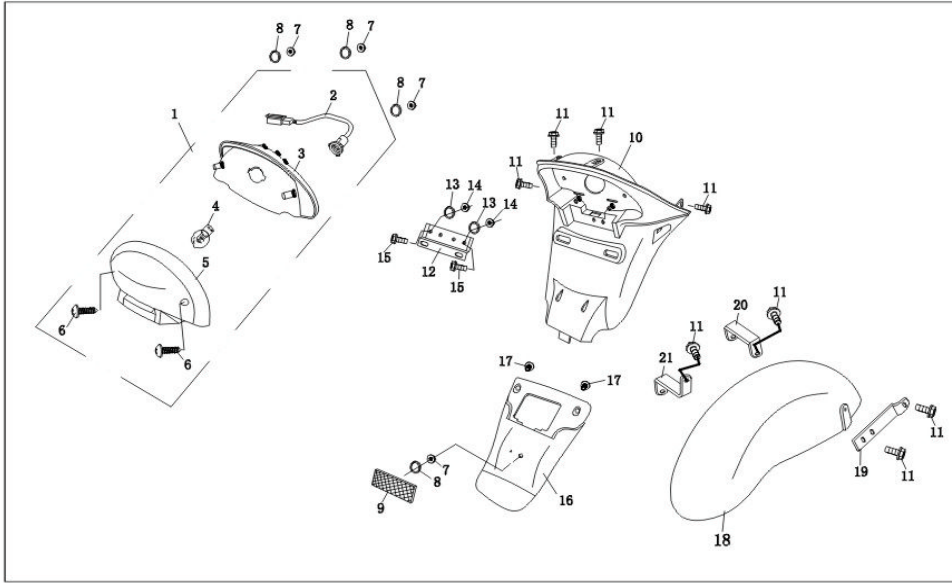


Bild Nr.:	Artikelnummer	Bezeichnung (e)	Menge
1	BT49QT-7-070201 F30.1	Cover assy., left body side	1
2	BT49QT-7-070301 F30.2	Cover assy., right body side	1
3	BT49QT-7-070203 F30.3	Aeration cover, left body side	1
4	BT49QT-7-070303 F30.4	Aeration cover, right body side	1
5	BT49QT-7-040001 F30.5	Luggage box	1
6	BT49QT-7-010003 F30.6	Clip (ST4.2)	2
7	GB/T 845-1985 F30.7	Screw tapping ST4.8*13	9
8	BT49QT-7-040002 F30.8	Inner cover, luggage box	1
9	GB/T 818-1985 F30.9	Bolt M6*16	2
10	BT49QT-7-070101 F30.10	Rear tail cover	1
11	BT49QT-7-181000 F30.11	Seat lock	1
12	GB/T 5789-1986 F30.12	Bolt M6*12	2
13	BT49QT-7-010001 F30.13	Fr. Cover, luggage box	1
14	BT49QT-7-010002 F30.14	Cover, luggage box Fr. Cover	1
15	BT49QT-7-010007 F30.15	Ladder bolt M6*16	1
16	BT49QT-7-010003 F30.16	Hook, helmet	1
17	GB/T 97.1-1985 F30.17	Washer 10	1
18	GB/T 6177-1986 F30.18	Nut M6	3
19	BT49QT-7-010008 F30.19	Clip nut M6	1
20	GB/T 845-1985 F30.20	Screw tapping ST4.2*13	4

BAOTIAN SMART RIDER 2006 BT125-T2

F31 Rear light assy./Rear fender assy.

尾灯
后挡泥板



. 65 .

Bild Nr.:	Artiklenummer	Bezeichnung (e)	Menge
1	BT49QT-7-180800 F31.1	Tail light assy.	1
2	BT49QT-7-180810 F31.2	Tail light base	1
3	BT49QT-7-180820 F31.3	Tail light setting body	1
4	BT49QT-7-180801 F31.4	Tail light bulb	1
5	BT49QT-7-180830 F31.5	Lens, tail light	1
6	GB/T 845-1985 F31.6	Screw tapping ST4.2*16	2
7	GB/T 6170-1986 F31.7	Nut M5	4
8	GB/T 97.1-1985 F31.8	Washer 5	4
9	BT50QT-11-350100 F31.9	Rear reflector	1
10	BT49QT-7-350001 F31.10	Fr. Part, Rear fender	1
11	GB/T 5789-1986 F31.11	Bolt M6*12	8
12	BT49QT-7-350100 F31.12	Rear license plate frame	1
13	GB/T 96-1985 F31.13	Washer 6	2
14	GB/T 6177-1986 F31.14	Nut M6	2
15	GB/T 5789-1986 F31.15	Bolt M6*16	2
16	BT49QT-7-350002 F31.16	Rear part, Rear fender	1
17	GB/T 845-1985 F31.17	Screw tapping ST4.2*13	2
18	BT49QT-7-370001 F31.18	Small fender	1
19	BT49QT-7-370002 F31.19	Right frame, small fender	1
20	BT49QT-7-370003 F31.20	Left front frame, small fender	1
21	BT49QT-7-370004 F31.21	Left bottom frame, small fender	1

BAOTIAN SMART RIDER 2006 BT125-T2

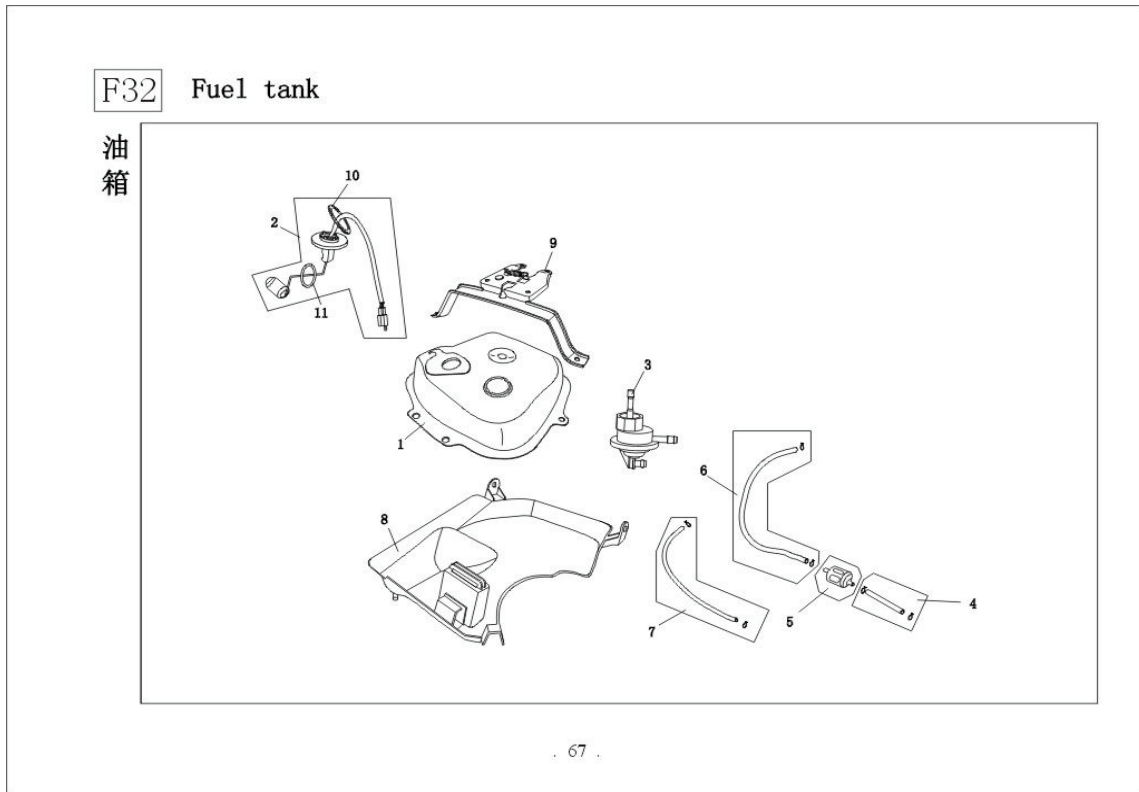


Bild Nr.:	Artiklenummer	Bezeichnung (e)	Menge
1	BT49QT-7-100100 F32.1	Fuel tank welding assy.	1
2	BT49QT-7-100300 F32.2	Fuel transducer assy.	1
3	BT50QT-9-100400 F32.3	Cock assy., fuel auto	1
4	BT50QT-9-100001 F32.4	Fuel tube A	1
5	BT50QT-9-100500 F32.5	Strainer comp, fuel	1
6	BT50QT-9-100003 F32.6	Fuel tube B	1
7	BT50QT-9-100002 F32.7	Tube vacuum	1
8	BT49QT-7-090013 F32.8	Bottom cover, fuel tank	1
9	BT49QT-7-090300 F32.9	Fuel protect welding assy.	1
10	BT49QT-7-100304 F32.10	Transducer, cover	1
11	BT49QT-7-100305 F32.11	Rubber, ring	1

BAOTIAN SMART RIDER 2006 BT125-T2

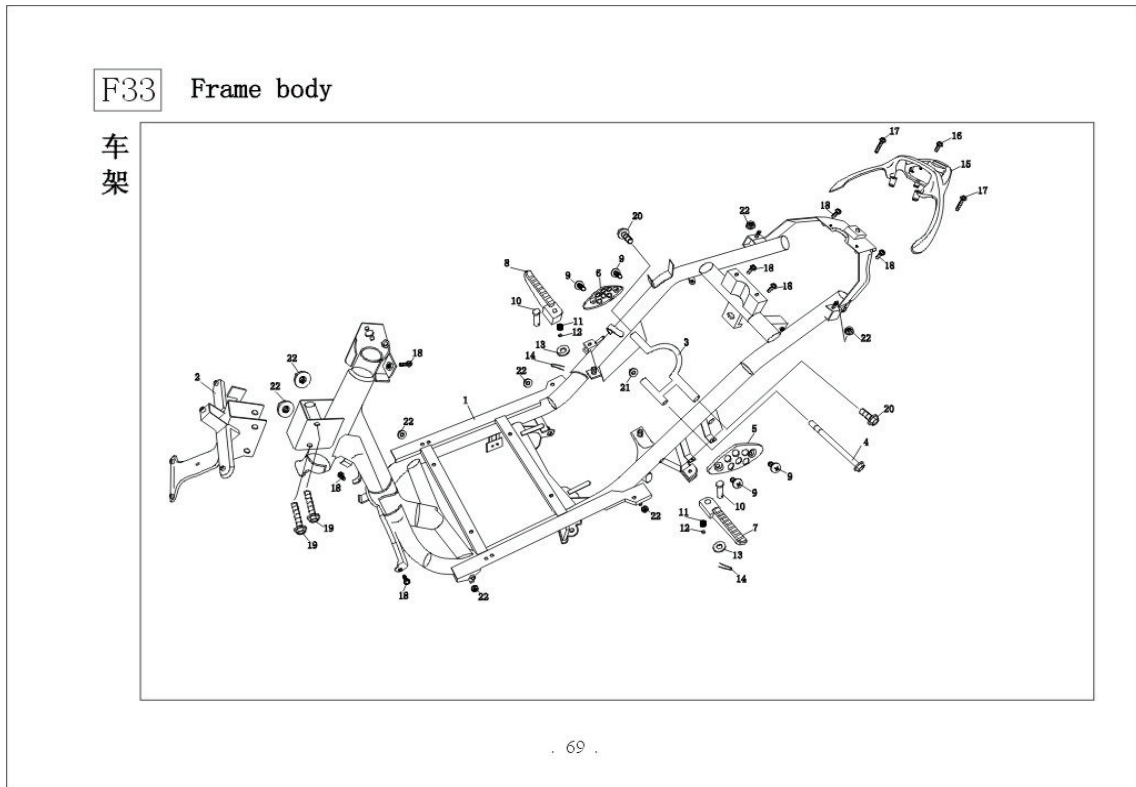
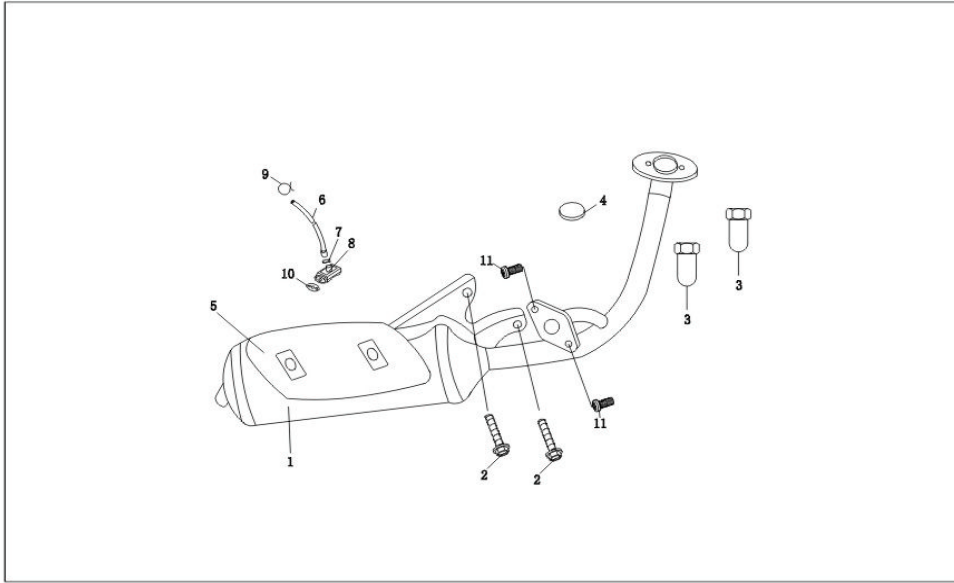


Bild Nr.:	Artiklenummer	Bezeichnung (e)	Menge
1	BT125T-2-090100 F33.1	Frame body welding assy.	1
2	BT49QT-7-090490 F33.2	Horn body welding assy.	1
3	BT125T-2-090400 F33.3	Hanger comp., engine	1
4	BT125T-2-090001 F33.4	Shaft hanger comp.	1
5	BT49QT-7-090006 F33.5	Adorn cover (L)	1
6	BT49QT-7-090007 F33.6	Adorn cover (R)	1
7	BT49QT-7-090008 F33.7	Put feet perch (L)	1
8	BT49QT-7-090009 F33.8	Put feet perch (R)	1
9	GB/T 818-1985 F33.9	Bolt M6*12	4
10	GB/T 882-1986 F33.10	Pin spindle 6*32	2
11	BT49QT-7-090010 F33.11	Sping, put feet perch	2
12	BT49QT-7-090011 F33.12	Steel globe, put feet perch	2
13	GB/T 95-1985 F33.13	Washer 6	2
14	GB/T 91-1986 F33.14	Hatch pin	2
15	BT49QT-7-330100 F33.15	Luggage carrier	1
16	GB/T 70-1985 F33.16	Bolt M8*35	1
17	GB/T 70-1985 F33.17	Bolt M8*45	2
18	GB/T 5789-1986 F33.18	Bolt M6*12	7
19	GB/T 5789-1986 F33.19	Bolt M6*50	2
20	GB/T 5789-1986 F33.20	Bolt M10*55	2
21	GB/T 6177-1986 F33.21	Nut M10	1
22	GB/T 6177-1986 F33.22	Nut M6	8

BAOTIAN SMART RIDER 2006 BT125-T2

F34 Muffler Welding Assy

排气消声器



. 71 .

Bild Nr.:	Artiklenummer	Bezeichnung (e)	Menge
1	BT125T-2-120100 F34.1	Muffler welding assy.	1
2	GB/T 5789-1986 F34.2	Bolt M8*48	2
3	GB/T 923-1988 F34.3	Nut M6*35	2
4	BT50QT-9-120200 F34.4	Gasket	1
5	BT125T-2-120200 F34.5	Protect plate	1
6	BT49QT-7-120004 F34.6	Tube	1
7	BT49QT-7-120006 F34.7	Clip tube A	1
8	BT50QT-9-120300 F34.8	Control valve	1
9	BT49QT-7-120005 F34.9	Clip tube B	1
10	BT49QT-7-120007 F34.10	Paper gasket	1
11	GB/T 818-1985 F34.11	Bolt M6*12	2

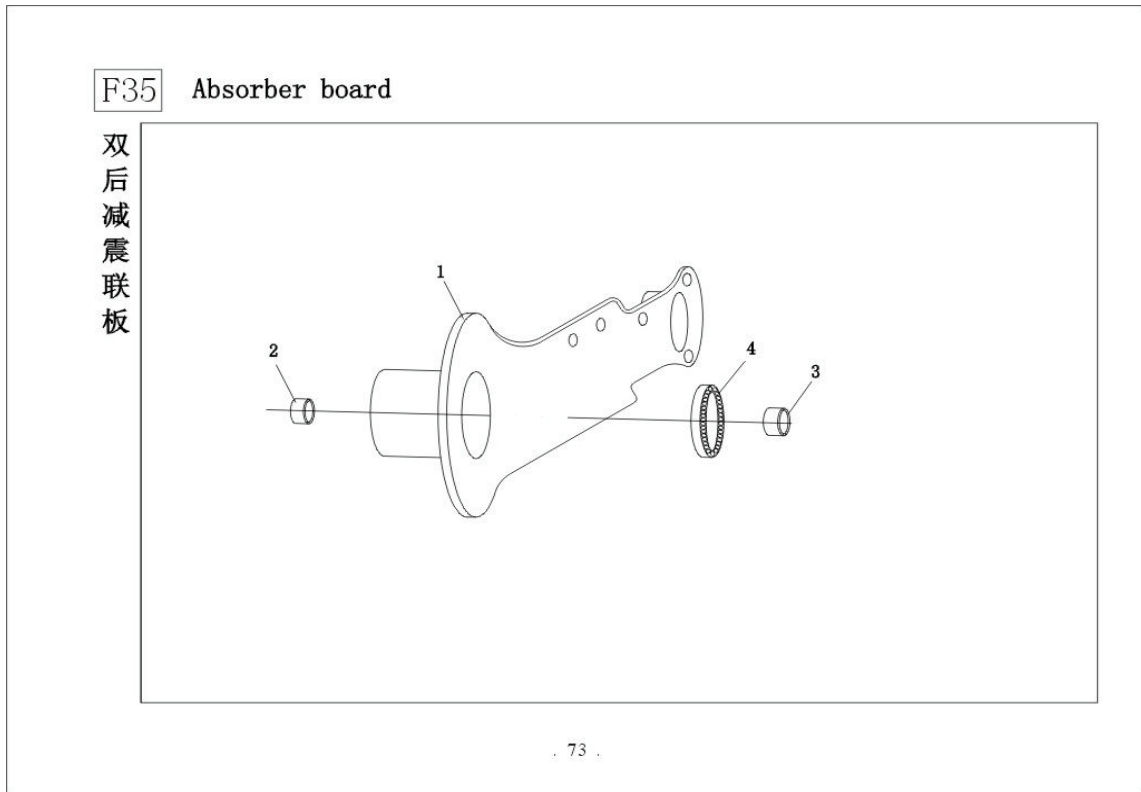


Bild Nr.:	Artiklenummer	Bezeichnung (e)	Menge
1	BT125T-2-390100 F35.1	Absorber board	1
2	BT125T-2-390001 F35.2	Bushing (inner)	1
3	BT125T-2-390002 F35.3	Bushng (outer)	1
4	6302Z F35.4	Bearing	1

BAOTIAN SMART RIDER 2006 BT125-T2

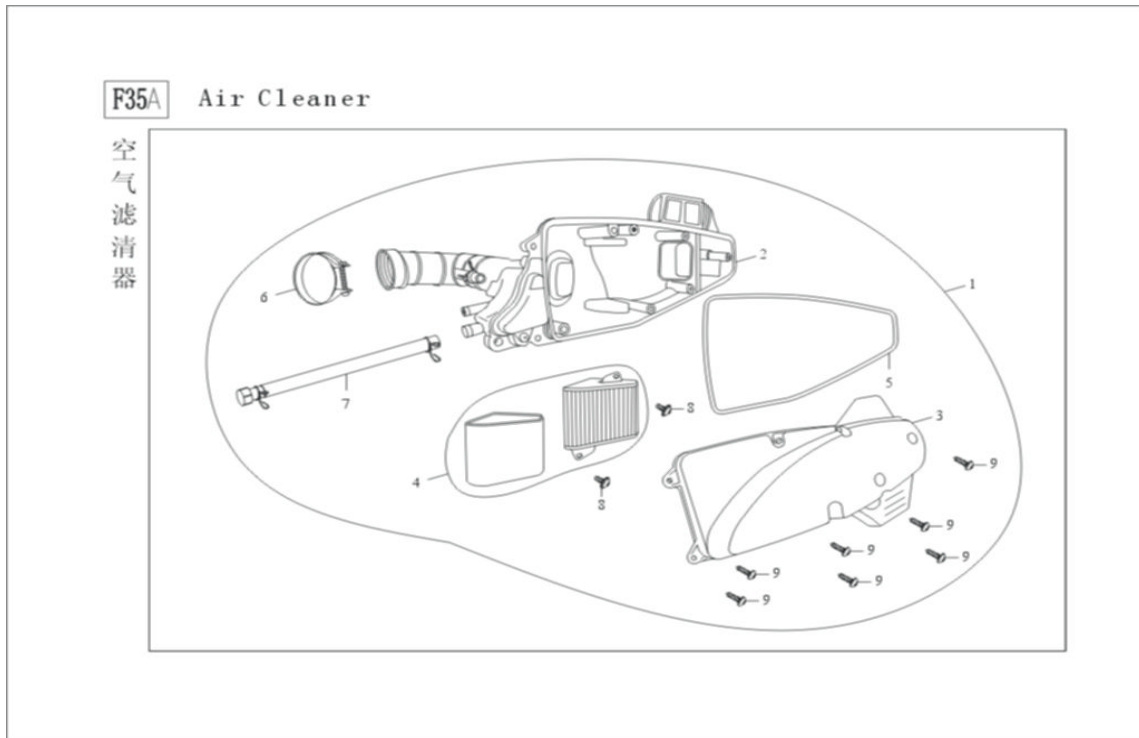


Bild Nr.:	Artiklenummer	Bezeichnung (e)	Menge
1	BT125T-2-7801A0 F35A-1	Air cleaner assy	1
2	BT125T-2-7801A4 F35A-2	Air cleaner case	1
3	BT125T-2-7801A1 F35A-3	Air cleaner cover	1
4	BT125T-2-7801A0 F35A-4	Air cleaner core	1
5	BT125T-2-7801A2 F35A-5	Seal	1
6	BT125T-2-7801A1 F35A-6	Band connecting	1
7	BT125T-2-7801A5 F35A-7	Oil collecting tube	1
8	GB9074.14 F35A-8	Screw-washer M5*10	2
9	GB/T 845-1985 F35A-9	Self-tapping screw ST4.8*16	7

BAOTIAN SMART RIDER 2006 BT125-T2

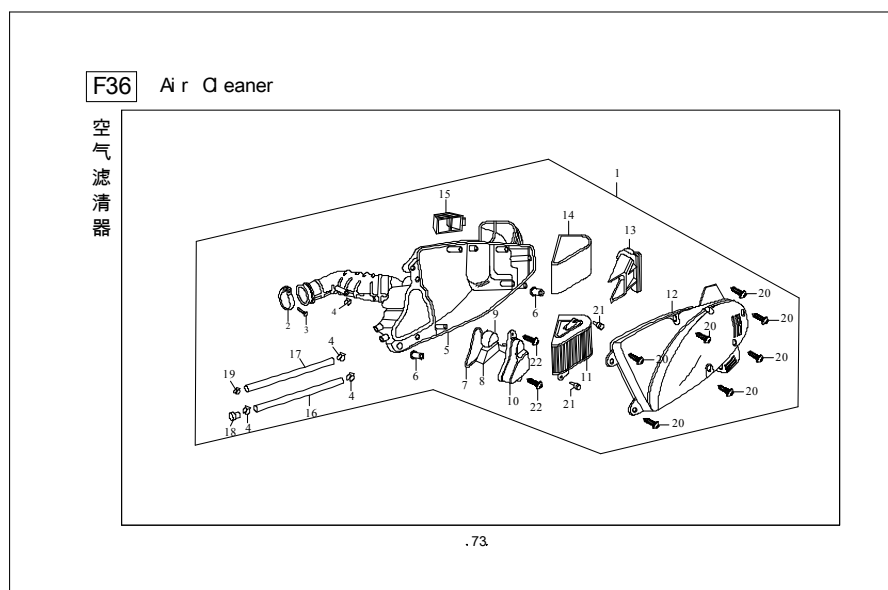


Bild Nr.:	Artikelnummer	Bezeichnung (e)	Menge
1	BT125T-9-780100 F36.1	Case assy. Air cleaner	1
2	BT125T-9-780101 F36.2	Band connecting, tube	1
3	BT125T-9-780102 F36.3	Connecting tube	1
4	BT125T-9-780103 F36.4	Clamp tube (D10.5)	4
5	BT125T-9-780104 F36.5	Case air cleaner	1
6	BT125T-9-780105 F36.6	Collar air cleaner setting	2
7	BT125T-9-780106 F36.7	Seal oil catch	1
8	BT125T-9-780107 F36.8	Filter oil catch	1
9	BT125T-9-780108 F36.9	Filter breather	1
10	BT125T-9-780109 F36.10	Cover assy. Oil catch	1
11	BT125T-9-780110 F36.11	Element comp. Air cleaner	1
12	BT125T-9-780111 F36.12	Cover air cleaner	1
13	BT125T-9-780112 F36.13	Duct air cleaner in	1
14	BT125T-9-780113 F36.14	Sponge, element comp	1
15	BT125T-9-780114 F36.15	Duct air cleaner case	1
16	BT125T-9-780200 F36.16	Air cleaner in comp.	1
17	BT125T-9-780115 F36.17	Tube vinyl 8*12*240	1
18	BT125T-9-780116 F36.18	Tube	1
19	BT125T-9-780117 F36.19	Clip tube	1
20	BT125T-9-780118 F36.20	Plug breather tube	1
21	GB/T 818-1985 F36.21	Screw pan M4*25	1
22	GB/T 845-1985 F36.22	Self-tapping screw ST4.2*13	2
23	GB9074.14 F36.23	Screw-washer M5*10	2
24	GB/T 845-1985 F36.24	Self-tapping screw ST4.8*20	8
25	GB/T 845-1985 F36.25	Self-tapping screw ST4.8*25	2
26	GB/T 818-1985 F36.26	Screw pan M5*12	1
27	GB/T 845-1985 F36.27	Self-tapping screw ST3.5*13	1
28	GB/T 5283-1985 F36.28	Self-tapping screw ST2.9*9.5	3

BAOTIAN SMART RIDER 2006 BT125-T2

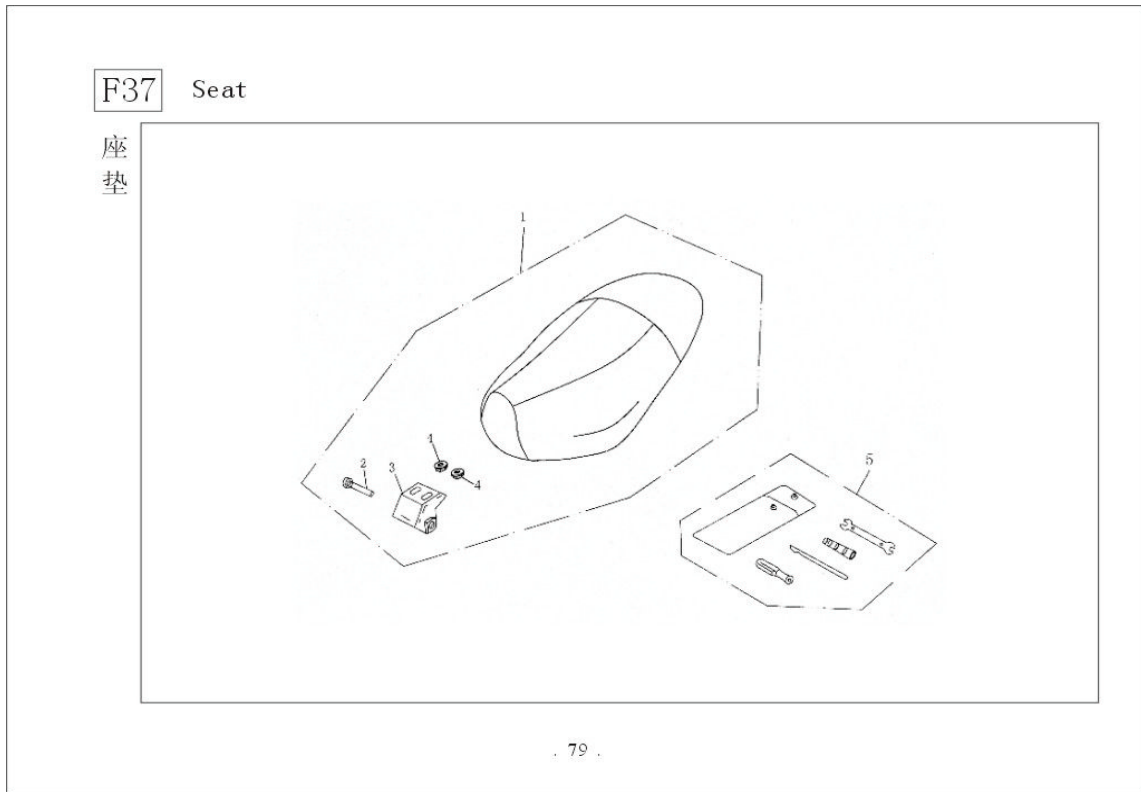


Bild Nr.:	Artikelnummer	Bezeichnung (e)	Menge
1	BT49QT-7-130000 F37.1	Seat assy.	1
2	BT49QT-7-130000 F37.2	Shaft	1
3	BT49QT-7-130002 F37.3	Seat setting bracket	1
4	GB/T 6170-1986 F37.4	Nut M6	2
5	BT50QT-9-790000 F37.5	Tool set	1

