

# ERSATZTEILKATALOG

# Dinli DMX 450

(DL 901)



Art-Nr: 45025101-ETK

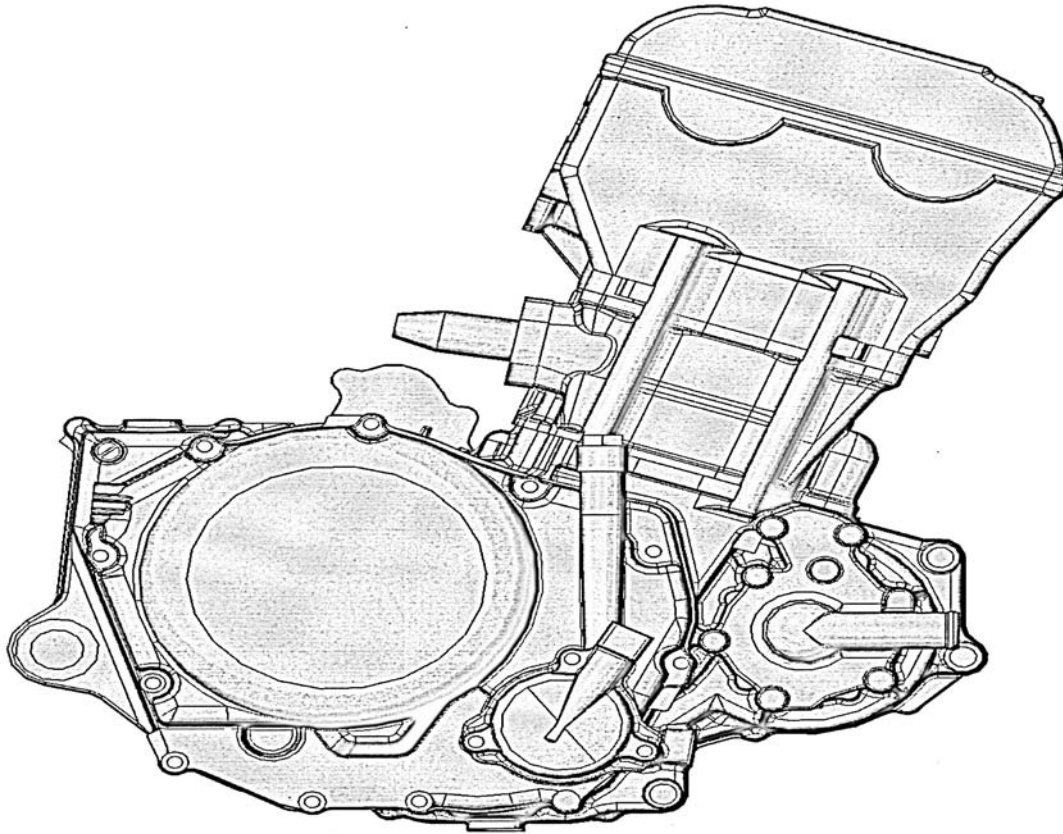
**SEIKEL**

**SEIKEL GmbH**

Düsseldorferstr. 10 - D-72072 Tübingen

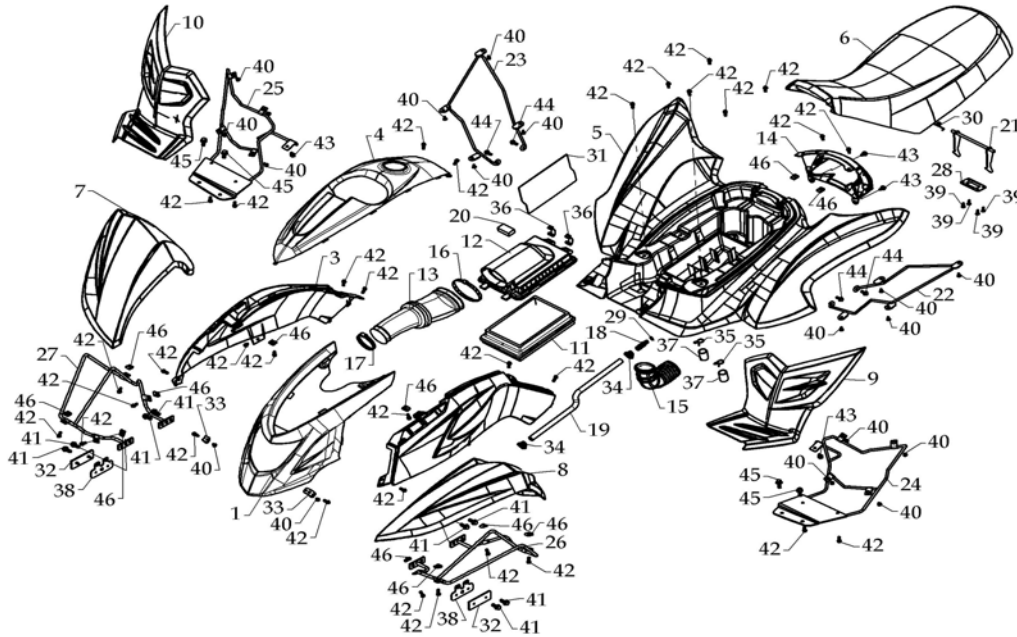
Tel: (+49)7071-97558-0 - Fax: (+49)7071-97558-11

e-mail: [verkauf@seikel24.de](mailto:verkauf@seikel24.de) - Online: <http://www.seikel24.de>

**Engine**

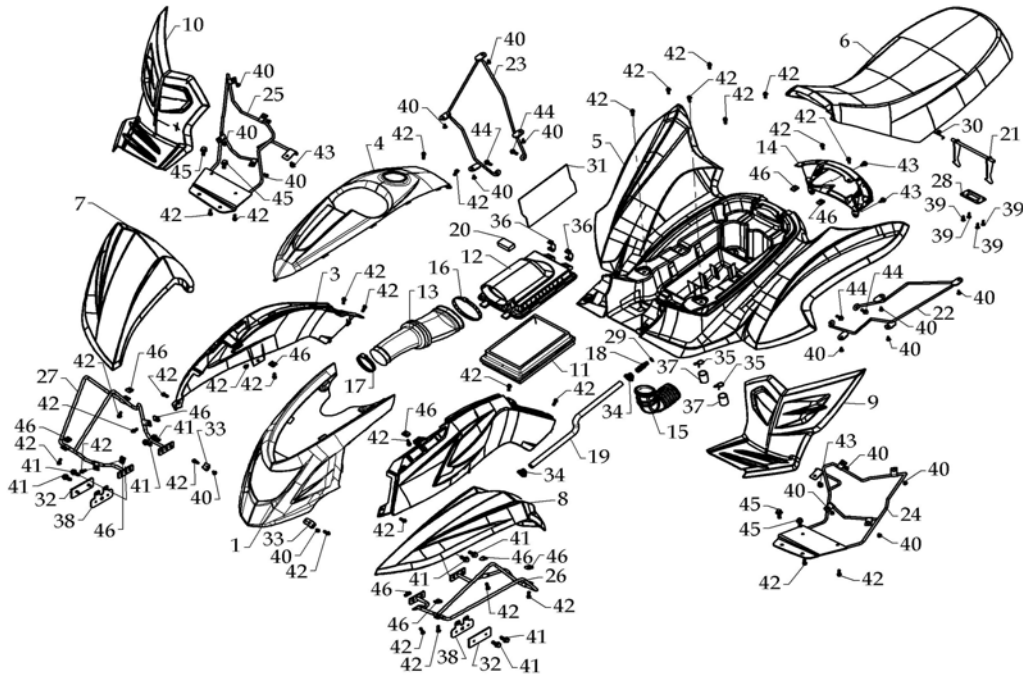
Model	Item	Part no	Description	Specification	Quantity
	01	E140000A01	E14 ENGINE	450C.C.	1

## Fender Seat



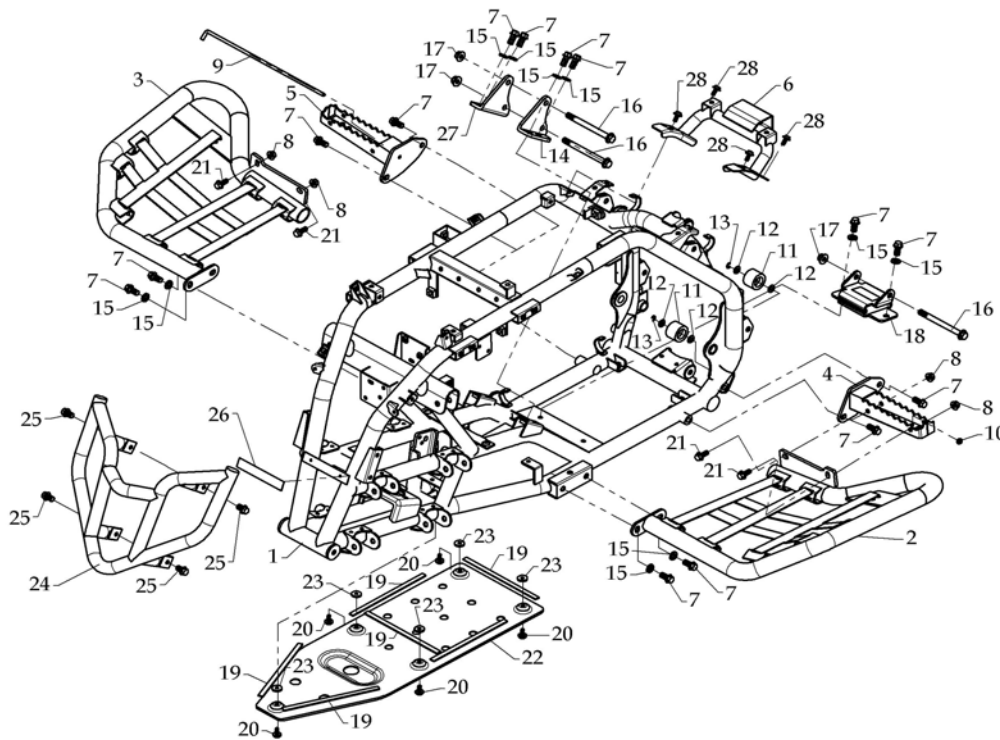
Model	Item	Part no	Description	Specification	Quantity
	01	F150195	Cover, Headlight		1
	02	F150092	Left Cover, Front fender		1
	03	F150093	Right Cover, Front fender		1
	04	F150194-07	Fuel Tank Cover		1
	05	F150090	Rear fender		1
	06	F150089A00	Seat		1
	07	F150100	Front left fender		1
	08	F150101	Front right fender		1
	09	F150096-15	Left Foot Basket		1
	10	F150097-15	Right Foot Basket		1
	11	F150182-00	Filer Element, Foam		1
	12	F150083-15	Air Box Cover		1
	13	F150085A00	Intake Duct, Carburetor		1
	14	F150157	Cover, Tail Light		1
	15	F150122A00	Intake Duct, AIRCLEANER		1
	16	F150121-41	Clamp		1
	17	F150123-41	Clamp		1
	18	F150126A00	Connector		1
	19	F150128-01	Hose		1
	20	F150131-00	ELEMENT		1
	21	F150149-42	SEAT FIXED HOOK		1
	22	F150191A50	Rear Fender Bracket		1
	23	F150192A50	Rear Fender Bracket		1
	24	F150221-50	FOOTREST BRACKET	LEFT SIDE	1
	25	F150222-50	FOOTREST BRACKET	RIGHT SIDE	1
	26	F150228-50	Front left fender BRACKET		1
	27	F150229-50	Front right fender BRACKET		1
	28	F030021-42	Plate, Seat Hook		1
	29	A100015-43	E Clip	Ø10	1
	30	A110043-00	Twiest Spring		1

## Fender Seat



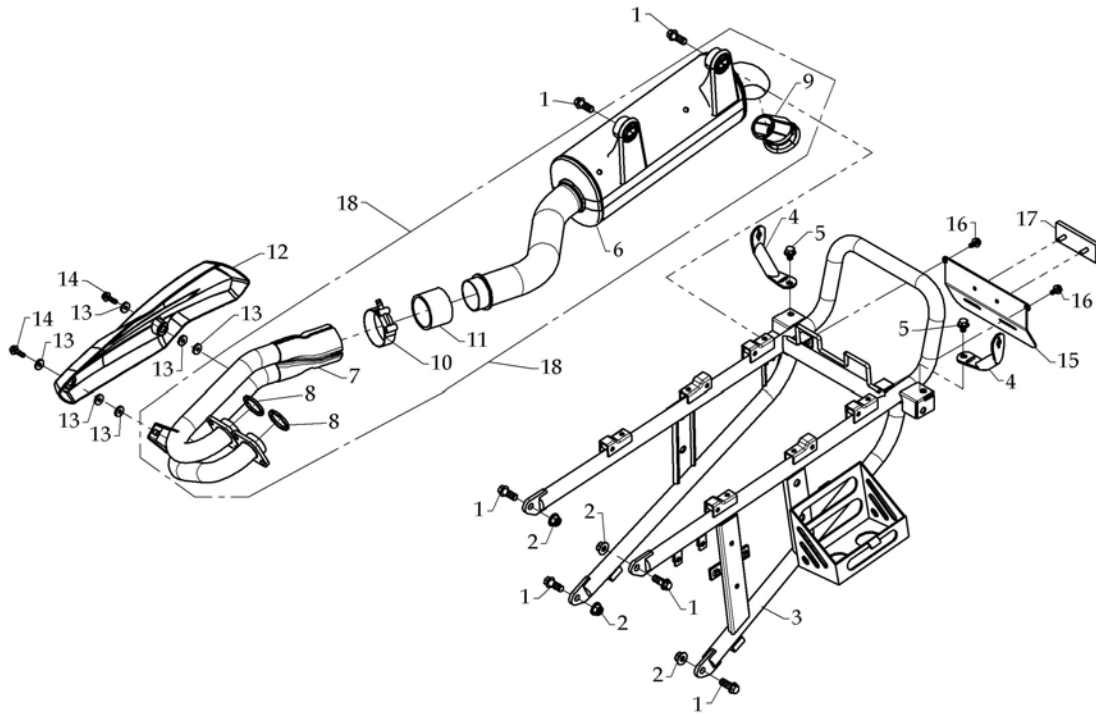
Model	Item	Part no	Description	Specification	Quantity
	31	F140197-00	Heat Insulate		1
	32	F020266-00	REFLECTER	黃色,CE	2
	33	A230034-50	Bracket		2
	34	F150127-41	Clamp		2
	35	F150129-00	Clamp		2
	36	F150169-41	Clip		2
	37	F150130-00	Drainage Plug		2
	38	F150179A50	REFLECTER MOUNT		2
	39	A130005-44	Tapping Screw	5mmx16L	4
	40	A130018-43	Tapping Screw	5mmx12L	18
	41	A050049-41	Hexagonal Flange Bolt	M8xP1.25x16L	8
	42	A050023-41	Hex Bolt	M6xP1.0x16L	34
	43	A050017-41	Hexagonal Flange Bolt	M6xP1.0x12L	4
	44	A050024-41	Hexagonal Flange Bolt	M6xP1.0x16L	4
	45	A050084-41	Hexagonal Flange Bolt	M8xP1.25x20L	4
	46	F020195-43	Nut Clip	M6x1.0	12

**FORNT FRAME**



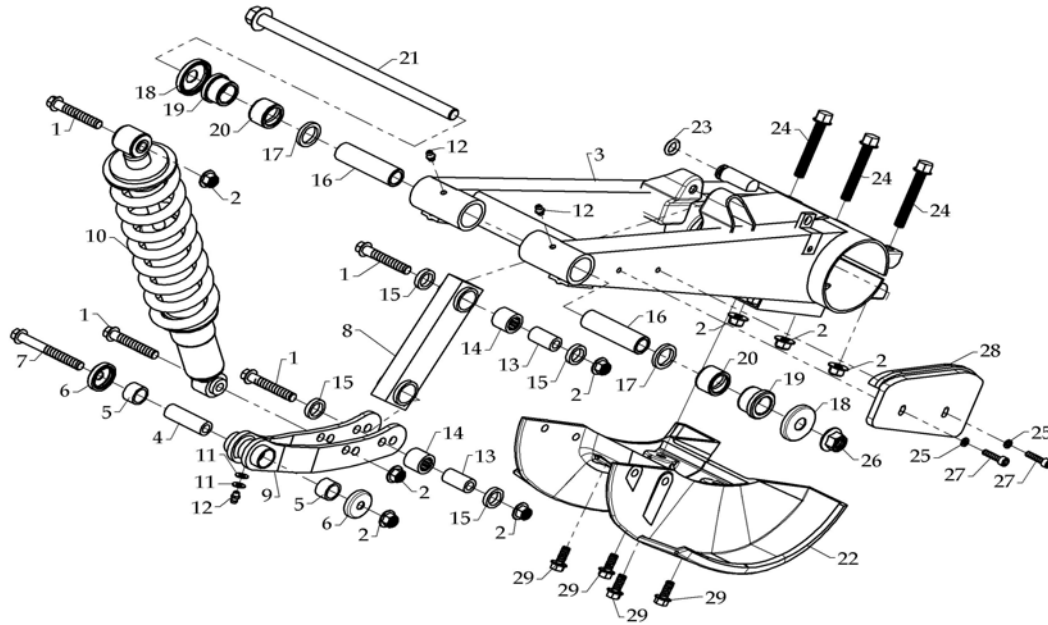
Model	Item	Part no	Description	Specification	Quantity
	01	F190048D48	FORNT FRAME		1
	02	F150071-98	NERF BAR, LEFT		1
	03	F150072-98	NERF BAR, RIGHT		1
	04	F150075B48	FOOT PEG, LEFT		1
	05	F150076B48	FOOT PEG, RIGHT		1
	06	F150168A48	SEAT BRACKET		1
	07	A050109-00	HEXAGONAL FLANGE BOLT	M10X1.25X20L	14
	08	A060014-41	LOCK NUT	M8X1.25	4
	09	F150160-42	L-TYPE BOLT	M6X1.0X320L	1
	10	A060053-41	LOCK	M6X1.0	1
	11	F150132-00	CHAIN ROLLER		2
	12	A080095-41	PLAIN WASHER	Ø8.2XØ16X1t	4
	13	A100014-43	E CLIP	Ø6	2
	14	F190045A50	LEFT ENGINE MOUNT		1
	15	A080009-41	SPRING WASHER	Ø10.2XØ3.7X2.5t	10
	16	A050068A41	HEXAGONAL FLANGE BOLT	M10X1.25X115L	3
	17	A060007-41	LOCK NUT	M12X1.25	3
	18	F190044-50	ENGINE BASE		1
	19	F020096-00	FOAM PAD		6
	20	A050017-41	HEXAGONAL FLANGE BOLT		5
	21	A050084-41	HEXAGONAL FLANGE BOLT	M6XP1.0X20L	4
	22	F150162-48	SKID PLATE		1
	23	A080102-00	RUBBER WASHER	Ø6XØ19X3t	5
	24	F150087A54	FRONT BUMPER		1
	25	A050005-41	HEXAGONAL FLANGE BOLT	M10X1.25X15L	4
	26	A990209-00	VIN Plate	e3x2002/24x0337x00	1
	27	F190046A50	RIGHT ENGINE MOUNT		1
	28	A050023-41	Hexagonal Flange Bolt	M6x1.0x16L	4

## Rear Frame ( E- Mark)



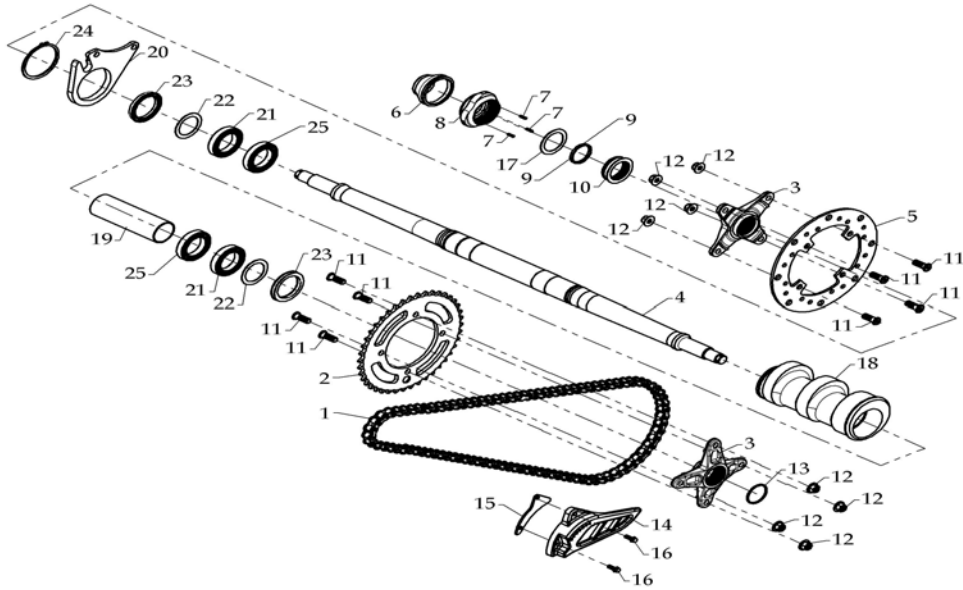
Model	Item	Part no	Description	Specification	Quantity
	01	A050201-41	Hexagonal Flange Bolt	M10x1.25x25L	6
	02	A060007-41	Lock Nut	M10x1.25	4
	03	F150088C48	Sub Frame		1
	04	F150196-50	Bracket, Directional Light		2
	05	A050020-41	Hexagonal Flange Bolt	M8x1.25x12L	2
	06	F150080-00	Exhaust Silencer		1
	07	F150081-00	Exhaust Header Pipe		1
	08	F150082-00	Gasket CP, EX Pipe		2
	09	F150078-01	Flame Arrester		1
	10	F150180-00	Clamp	Ø2 1/8"~Ø2 1/6"	1
	11	F150181-00	Ghaphite Ring	Ø60xØ51x40L	2
	12	F150224-00	Protective Cover, Muffler		1
	13	A080097-00	Washer	Ø5.9xØ17x3t	6
	14	A050030-43	Hexagonal Flange Bolt	M6x1.0x20L	2
	15	F150154B50	License Plate		1
	16	A050017-41	Hexagonal Flange Bolt	M6x1.0x12L	2
	17	F020265-00	Reflector	紅色,CE	1
	18	F150077-01	Exhaust Pipe Assy		1

**SWING ARM SUB ASS'Y**



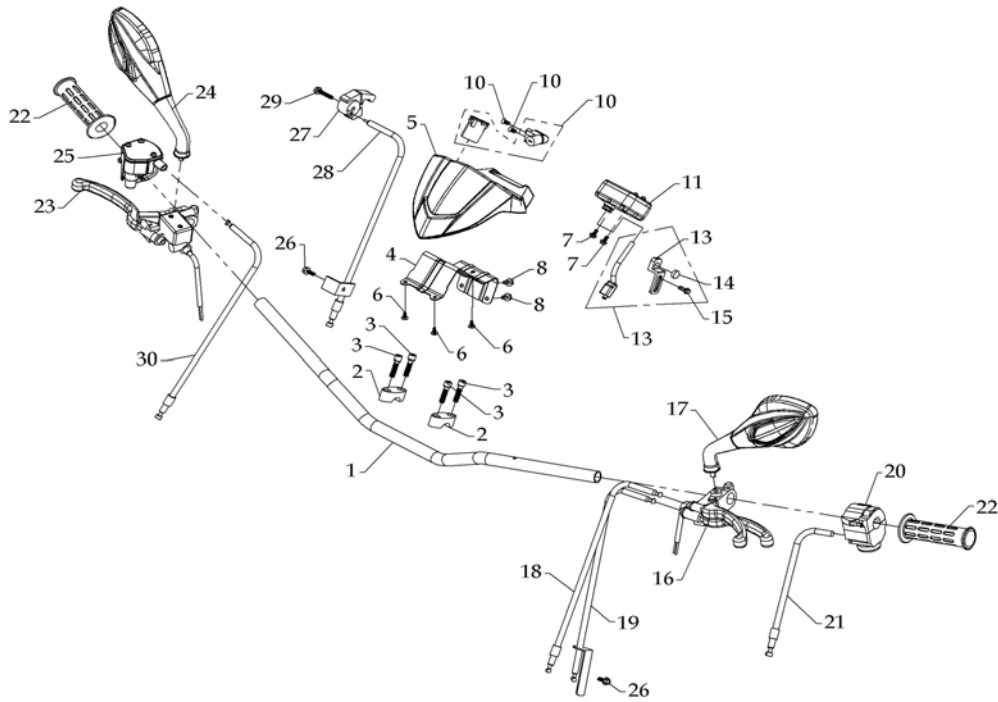
Model	Item	Part no	Description	Specification	Quantity
	01	A050230-41	HEXAGONAL FLANGE BOLT	M10X1.25X60L-10T	4
	02	A060007-41	INSERT LOCK NUT	M10X1.25	8
	03	F150024F48	SWINGARM		1
	04	A090024B00	SPACER TUBE	Ø10XØ17X51.3L	1
	05	A020001-00	BUSHING		2
	06	F090041-00	SEAL COVER		2
	07	A050229-41	HEXAGONAL FLANGE BOLT	M10X1.25X85L-10T	1
	08	A080036-41	PLAIN WASHER	Ø6.5XØ13X1.0t	2
	09	F150143A48	REAR LINKAGE		1
	10	F150142-48	FRONT LINKAGE		1
	11	F150043A00	REAR SHOCK ABSORBER		1
	12	F020140-00	GREESE NIPPLE		3
	13	A090023A00	SPACER TUBE	Ø10XØ17X31L	2
	14	A010054-00	NEEDLE BEARING	TA1720,Ø24XØ17X20	2
	15	A030033-00	SEAL	VCØ24XØ17X5t	4
	16	A090030-00	SPACER TUBE	Ø15.5XØ22X77L	2
	17	A030030-00	SEAL	TCX4 22X30X4, OS-3	2
	18	A030035-00	SEAL COVER	Ø15.5XØ34.2XØ44X6	2
	19	A020008-00	BUSHING		2
	20	A020009-00	BUSHING	Ø22XØ30X20L	2
	21	A050187-41	HEXAGONAL FLANGE BOLT	M14X1.5LX274L	1
	22	F150109-00	DISK & SPROCKET PROTECTER		1
	23	A040034-00	O RING	Ø12X4	1
	24	A050185-41	HEXAGONAL FLANGE BOLT	M10X1.25X70L	3
	25	A080026-41	PLAIN WASHER	Ø6.5XØ19X2t	2
	26	A060006-41	LOCK NUT	M14X1.5	1
	27	A050029-43	HEX SOCKET BOLT	M6X1.0X25L	2
	28	F150110-00	CHAIN GUIDE		1
	29	A050084-41	HEXAGONAL FLANGE BOLT	M8X1.25X20L	4

## REAR AXLE



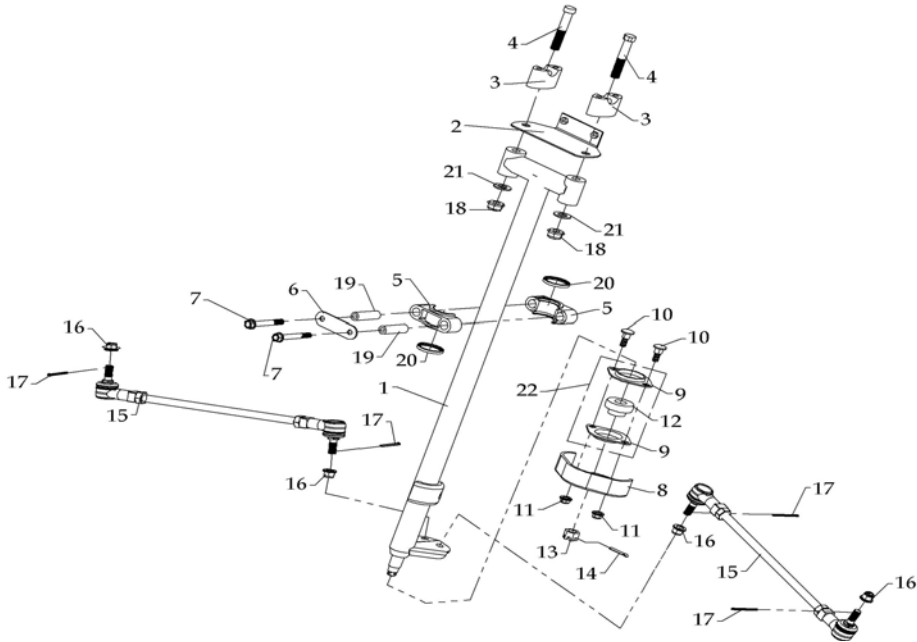
Model	Item	Part no	Description	Specification	Quantity
	01	F150041-00	DRIVE CHAIN	520-96 LINKS	1
	02	F150029-43	REAR SPROCKET	42TX130	1
	03	F150030-44	RR SPROCKET BK DISC CARRIE		2
	04	F150028-44	REAR AXLE		1
	05	F150039-01	REAR ROTOR	Ø220	1
	06	F150033-00	REAR AXLE BOOT		1
	07	F150034-43	SHCS	M4X0.7X12L	3
	08	F150035-44	AXLE BEARING PRELOAD NUT		1
	09	F150036-43	PRELOAD RETAINER		1
	10	F150037-44	AXLE PRELOAD SCREW		1
	11	A050203A41	SOCKET BOLT	M10X1.25X26L	8
	12	A060007-41	LOCK NUT	M10X1.25	8
	13	A100026-41	AXLE CARRIER STOP		1
	14	F150107-00	CHAIN COVER		1
	15	F150148-00	CHAIN COVER PLATE		1
	16	A050130-41	HEX BOLT	M6X1.0X16L	2
	17	F150038-41	AXLE PRELOAD NUT WASHER		1
	18	F150026-00	AXLE ECCENTRIC		1
	19	F150025-41	AXLE ECCENTRIC SPACER TUBE		1
	20	F190060-50	CALIPER HODER		1
	21	A010051-02	BEARING	6908ZZ(40x62x12)	2
	22	A080084-41	PLAIN WASHER	54X40X1.0t	2
	23	A030031-00	SEAL	48X62X7 mm	2
	24	A100022-43	CIRCLIP	Ø79.5XØ64X2.5t	1
	25	A010051-04	Bearing, Rear Axle Eccentric	6908LLU(40x62x12)	2

## HANDLEBAR



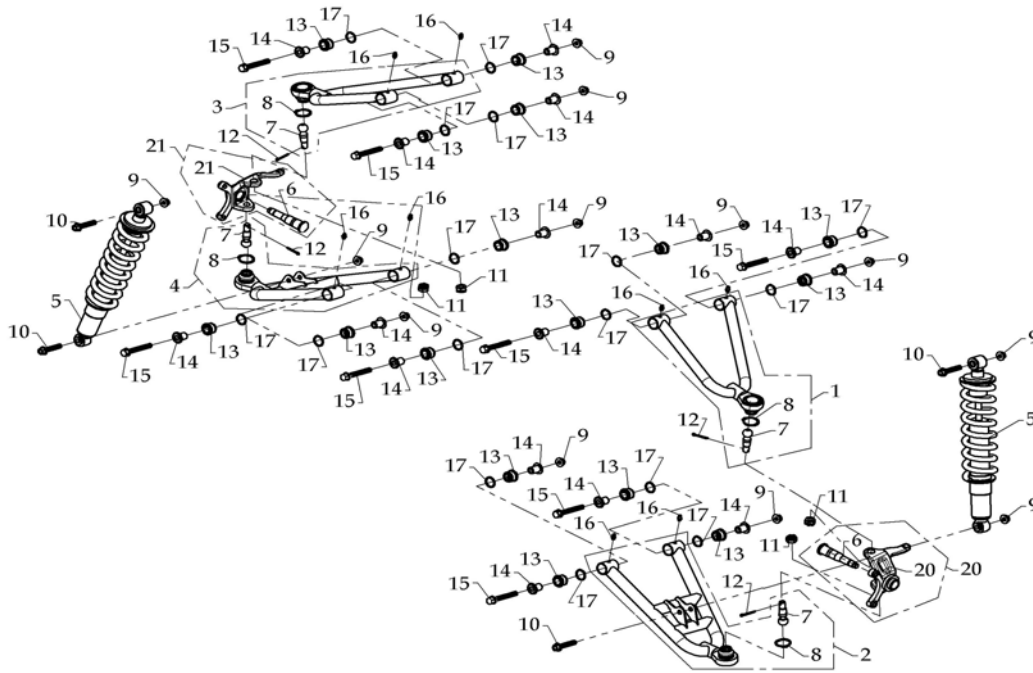
Model	Item	Part no	Description	Specification	Quantity
	01	F150067A50	Handlebar		1
	02	F150219-00	Upper Handlebar Clamp		2
	03	A050189-43	SHCS	M8x1.25x30L	4
	04	F140042A48	Bracket, Speedometer Cover		1
	05	F140004	Speedometer Cover		1
	06	A130018-43	Tapping Screw	5mmx12L	3
	07	A050095-41	Philips Screw & Washer	M5X0.8X12L	2
	08	A050017-43	Hexagonal Flange Bolt		2
	09	F150105-00	Ignition Switch		1
	10	A050090-41		M6X1.0X8L	2
	11	F150104A00	Speedometer		1
	12	F150103-00	Wire, Speedometer		1
	13	F150209-00	BASE, SPEEDOMETER WIRE		1
	14	F150211-00	MAGNET SENSOR		1
	15	A050023-41	Hexagonal Bolt & Washer	M6x1.0x16L	1
	16	A190087-00	Left Lever Assy		1
	17	A180059-00	Rear-view Mirror, Left		1
	18	F190062A00	Parking Brake Cable		1
	19	F150065-00	Clutch Cable		1
	20	A190056A00	Left Switch		1
	21	F150066-00	Choke Cable		1
	22	F150120-00	Handle Grip		2
	23	A190089-00	Right Lever Assy	Ø14	1
	24	A180060-00	Rear-view Mirror, Right		1
	25	F150161-00	Throttle Switch	限速版(歐規)	1
	26	A050024-41	Hexagonal Flange Bolt	M6x1.0x16L	2
	27	F150068-00	Reverse switch		1
	28	F150070-00	Reverse Cable		1
	29	A050134-41	Hexagonal Flange Bolt	M6x1.0x32L	1
	30	F150063-00	Throttle Cable		1

## Steering



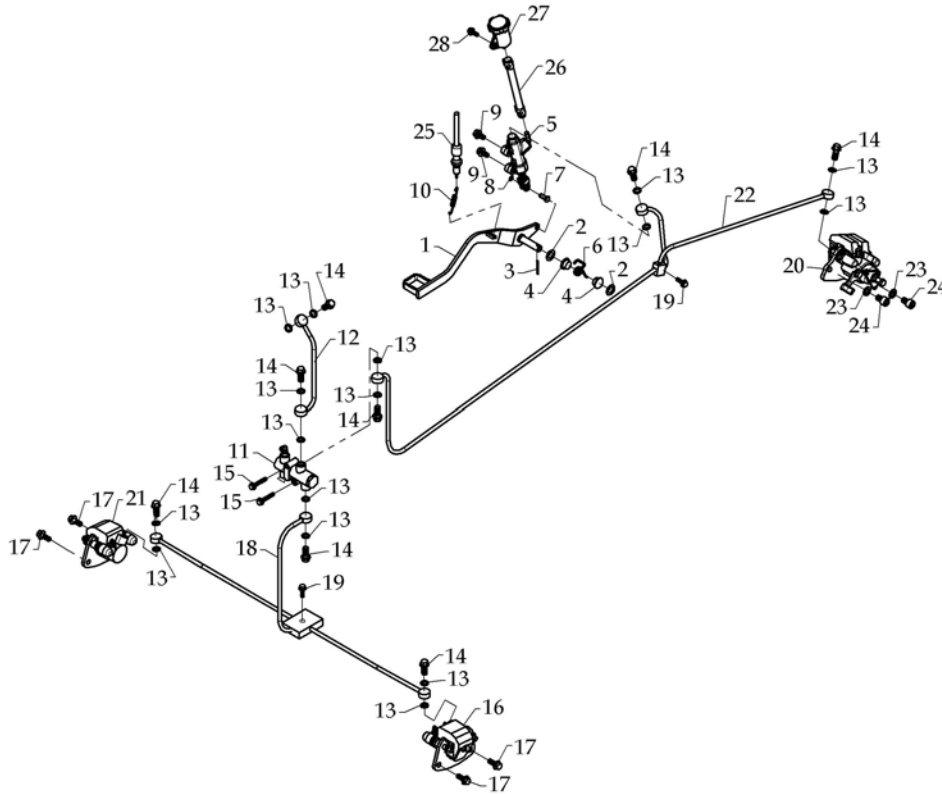
Model	Item	Part no	Description	Specification	Quantity
	01	F150047C48	STEERING COLUMN		1
	02	F150164A50	SUPPORT PLATE		1
	03	F150220-00	LOWER HANDLEBAR CLAMP		2
	04	A050228-41	LOCATION BOLT	M12X1.75X70L	2
	05	F140019-00	STEERING COLUMN CLAMP		2
	06	F140082-41	HOLDING PLATE		1
	07	A050010-41	Hexagonal Flange Bolt	M8x1.25x65L	2
	08	F150152-48	STEERING ALIGNMENT BASE		1
	09	F150049-41	BEARING HOLDING PLATE		2
	10	A050212-41	FLANGE-HEAD BOLT	M8X1.25X25L	2
	11	A060014-41	LOCK NUT	M8X1.25	2
	12	A010053-00	BEARING	SB203-17	1
	13	A060026B42	CADTLE NUT	M14 X1.5	1
	14	A070002-41	COTTER PIN	Ø3.2X32L	1
	15	F150206-00	STEERING TIE-ROD ASSY.		2
	16	A060007-41	Lock Nut	M10x1.25	4
	17	A070038-00	COTTER PIN	Ø1.8xØ10	4
	18	A060008-41	Lock Nut	M12x1.25	2
	19	F140145-42	SPACER		2
	20	A030034-00	SEAL COVER		2
	21	A080106-41	WASHER	Ø13.2XØ25X2t	2
	22	F150048-41	BEARING HOLDING BASE ASSY		1

## FRONT SUSPENSIONE



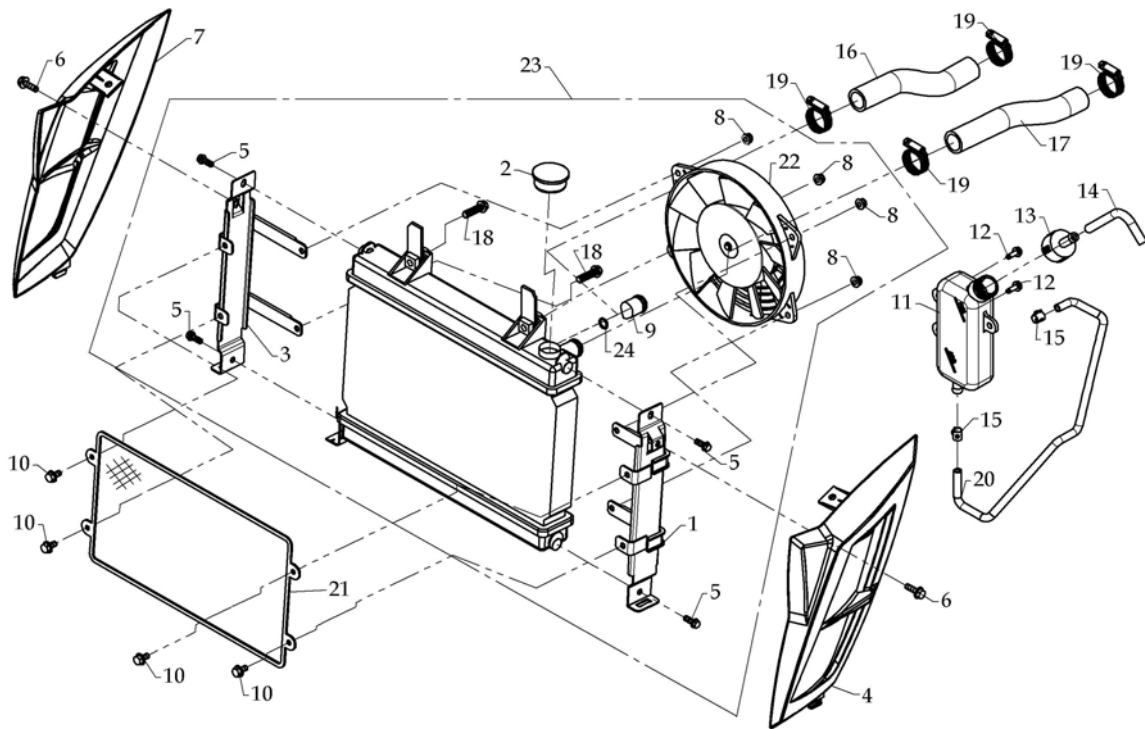
Model	Item	Part no	Description	Specification	Quantity
	01	F150014-48	UPPER-LEFT A-ARM		1
	02	F150012-48	LOWER-LEFT A-ARM		1
	03	F150015-48	UPPER-RIGHT A-ARM		1
	04	F150013-48	LOWER-RIGHT A-ARM		1
	05	F150042-00	FRONT Shock AbsORBER		2
	06	F150023A46	KNUCKLE SPINDLE		2
	07	F140227-00	BALL JOINT		4
	08	A100021-42	CIRCLIP	Ø30mm	4
	09	A060007-41	LOCK NUT	M10X1.25	12
	10	A050213-41	HEXAGONAL FLANGE BOLT	M10x1.25x50L-8T	4
	11	A060025-42	CASTLE NUT	M12X1.25	4
	12	A070002-41	COTTER PIN	Ø3.2X32L	4
	13	A090031A00	INTERNAL BUSHING		16
	14	A090032A43	EXTERIOR BUSHING		16
	15	A050185-41	HEXAGONAL FLANGE BOLT	M10X1.25X70L	8
	16	F020140-00	GREASE NIPPLE		8
	17	A040040-00	O RING	P22	16
	18	F150019A46	LEFT KNUCKLE ASSY		1
	19	F150020A46	RIGHT KNUCKLE ASSY		1
	20	F150021B42	LEFT KNUCKLE		1
	21	F150022B42	RIGHT KNUCKLE		1

## Brake System



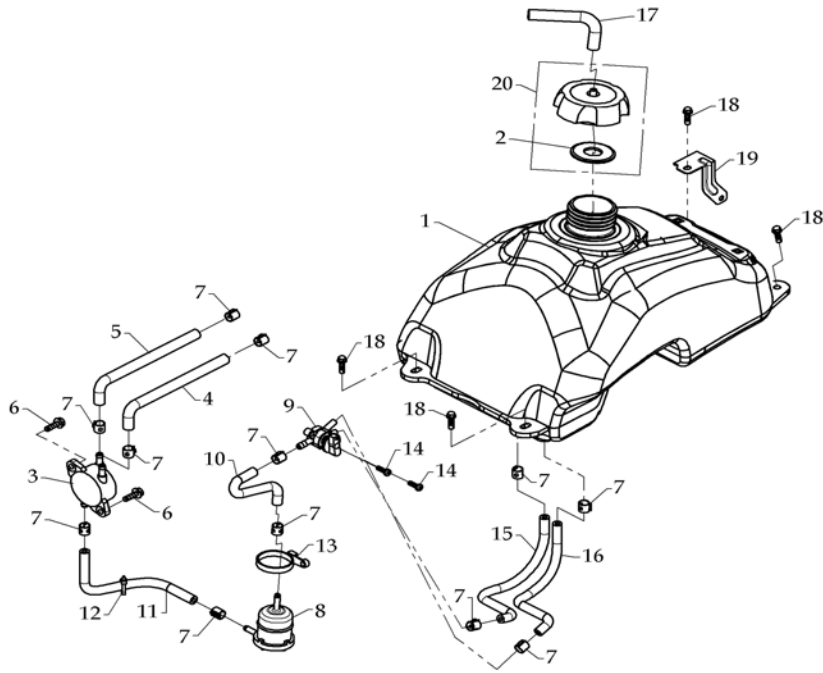
Model	Item	Part no	Description	Specification	Quantity
	01	F150044A48	BRAKE PEDAL		1
	02	A080086-41	WASHER	Ø13xØ22x0.8t	2
	03	A070011-41	COTTER PIN	Ø2.8X32L	2
	04	F150046-00	BUSHING		2
	05	F150158-02	BRAKE CYLINDER ASSY		1
	06	A110035-42	TORSION SPRING		1
	07	A070021-42	PIN	Ø7x15	1
	08	A100016-43	CIRCLIP		1
	09	A050049-41	HEXAGONAL FLANGE BOLT	M8X1.25X16L	2
	10	A110034-00	TORSION SPRING, BRAKE SENSOR		1
	11	A220015-00	PRESSURE VALVE	Ø14	1
	12	F150200-01	BRAKING HOSE		1
	13	A080011-00	PLAIN WASHER	Ø10.3xØ15x1.5	16
	14	A050009-44	HEXAGONAL FLANGE BOLT	M10X1.25X22L	8
	15	A050079-43	HEXAGONAL FLANGE BOLT	M6X1.0X35L	2
	16	F150010-00	FRONT BRAKE CALIPER, LEFT		1
	17	A050197-41	HEXAGONAL FLANGE BOLT	M8X1.0X21L	4
	18	F190056-01	FRONT THREE-WAY BRAKING HOSE		1
	19	A050030-43	HEXAGONAL FLANGE BOLT	M6X1.0X20L	2
	20	F190059-00	REAR CALIPER		1
	21	F150011-00	FRONT BRAKE CALIPER, RIGHT		1
	22	F190058-01	REAR THREE-WAY BRAKING HOSE		1
	23	A080082-41	PLAIN WASHER	Ø10.5xØ18x2t	2
	24	A050216-41	SOCKET BOLT	M10x1.25x15L	2
	25	A190054-00	BRAKE SENSOR		1
	26	A220030-00	BRAKING HOSE		1
	27	A160008-00	BROKE RESERVOIR		1
	28	A050024-41	HEXAGONAL FLANGE BOLT	M6x1.0x16L	1

## Cooling System



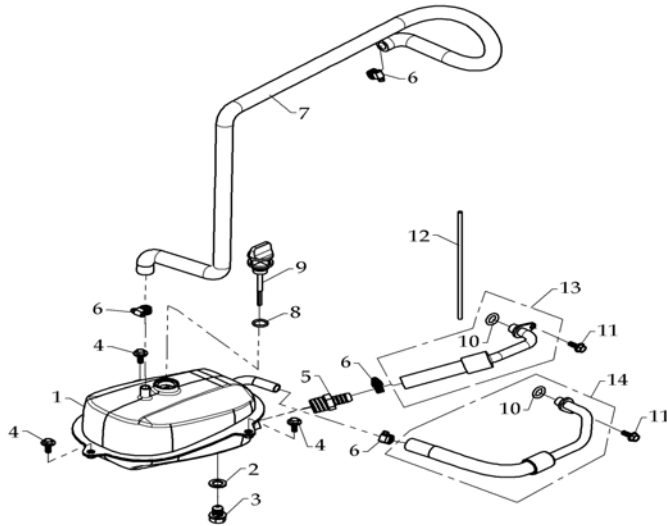
Model	Item	Part no	Description	Specification	Quantity
	01	F150188-50	LEFT COVER BRACKET		1
	02	F150059-00	PRESSURE CAP		1
	03	F150189-50	RIGHT COVER BRACKET		1
	04	F150098-98	LEFT COVER, RADIATOR		1
	05	A050023-41	HEX BOLT	M6X1.0X16L	4
	06	A050030-43	HEXAGONAL FLANGE BOLT	M6X1.0X20L	2
	07	F150099-98	RIGHT COVER, RADIATOR		1
	08	A060053-41	INSERT LOCK NUT	M6X1.0	4
	09	A190055-00	TEMP SENSOR, RADIATOR		1
	10	A050017-43	HEXAGONAL FLANGE BOLT	M6X1.0X12L	4
	11	F140080-00	COOLANT RESERVOIR		1
	12	A050156-43	PHILIPS SCREW WITH WASHER	M6X1.0X16L	2
	13	F140087A15	RESERVOIR CAP		1
	14	F020145-00	HOSE		1
	15	F020197-00	CLAMP	9.2*0.6	2
	16	F150118-00	COOLANT HOSE	Ø12XØ19X170	1
	17	F150058-00	COOLANT HOSE	Ø12XØ19X215	1
	18	A050186-41	HEXAGONAL FLANGE BOLT	M8X1.25X28L	2
	19	F150146-00	CLAMP	Ø30-Ø40	4
	20	A220009-00	HOSE	Ø6XØ9X520L	1
	21	F150185-50	RADIATOR PROTECTOR		1
	22	F170070-00	MOTOR FAN		1
	23	F150167B00	RADIATOR SUB ASSY		1
	24	A040041-00	O RING	P10	1

## Fuel Tank



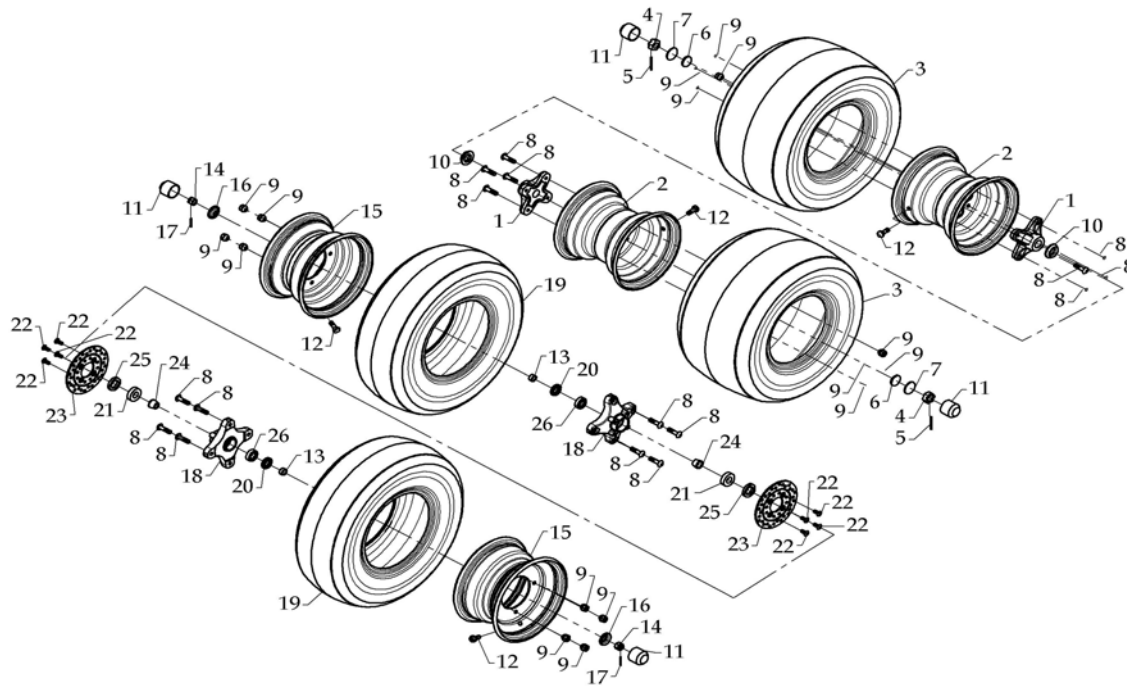
Model	Item	Part no	Description	Specification	Quantity
	01	F150212-00	FULE TANK		1
	02	F140229-00	GASKET		1
	03		FUEL PUMP ASSY		1
	04	F150114-00	TUBE	Ø6XØ13X640L	1
	05	F150117-00	TUBE	Ø6XØ13X450L	1
	06	A050030-43	HEXAGONAL FLANGE BOLT	M6X1.0X20L	2
	07	F020196-00	FUEL TUBE	Ø12X0.8t	12
	08	F150223-00	FUEL FILTER ASSEMBLY		1
	09	F140190-00	FUEL SHUT OFF VALVE		1
	10	A220027-00	TUBE		1
	11	A220026-00	TUBE		1
	12	F020188-00	STRAP		1
	13	A160007-00	MOUNTING CABLE TIE	TCV-400	1
	14	A050031-41	PAN HEAD BOLT	M5X0.8X16L	2
	15	F020047-00	TUBE	250L	1
	16	F020046-00	TUBE	270L	1
	17	F020145-00	BREATHE TUBE	190L	1
	18	A050063-41	HEX BOLT	M6X1.0X20L	4
	19	F150214-48	BRACKET		1
	20	F140030-00	FUEL TANK CAP		1

## Oil Tank



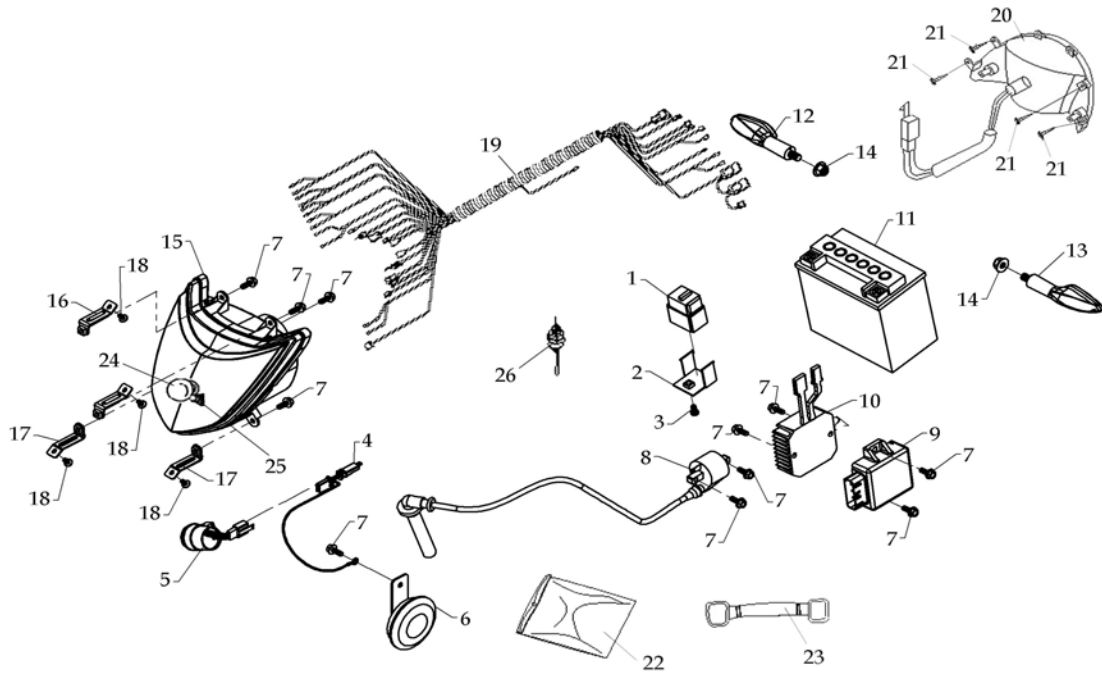
Model	Item	Part no	Description	Specification	Quantity
	01	F150054-50	OIL TANK		1
	02	A080052-00	PLAIN WASHER	Ø12.2XØ20X2t	1
	03	A050071-41	DRAINAGE PLUG	M12X1.5X15L	1
	04	A050022-41	HEX BOLT	M6X1.0X18L	3
	05	F150056-00	OIL FILTER	#40	1
	06	F150127-41	FUEL TUBE	Ø13-26mm	4
	07	F150135A00	TUBE	Ø12XØ20X1230L	1
	08	A040005-00	O RING	P14	1
	09	E020074-00	OIL LEVEL GAUGE		1
	10	A040027-00	O RING	Ø12XØ3.6	2
	11	A050024-41	HEXAGONAL FLANGE BOLT	M6X1.0X16L	2
	12	F150116-00	TUBE	Ø6XØ10X350	1
	13	F150136-01	OIL TUBE	Ø12xØ19	1
	14	F150213-00	OIL TUBE	Ø12xØ19	1

## Wheel



Model	Item	Part no	Description	Specification	Quantity
	01	F150006-53	REAR HUB ASSEMBLY		2
	02	F150002-49	RIM	9X8.5	2
	03	F150009-01	TIRE	20X11-9"	2
	04	A060058-42	CADTLE NUT	M20 X1.5	2
	05	A070031-41	COTTER PIN	Ø3.5X45L	2
	06	A080091-41	PLAIN WASHER	Ø21XØ34X4t	2
	07	A080092-41	PLAIN WASHER	Ø20.2XØ40X2.5t	2
	08	A050208-41	BOLT	M10X1.25X40L	16
	09	A060061-41	LOCK NUT	M10X1.25	16
	10	F150032-44	AXLE HUB SPACER		2
	11	F020153-00	RUBBER CAP		4
	12	F020154-00	RIM VALVE		4
	13	A090027-45	SPACER	Ø15XØ20X10.5t	2
	14	A060004-42	CASTLE NUT	M14X1.5-II	2
	15	F150001-49	RIM	10X5.5	2
	16	F020478-42	BASE, RUBBER CAP		2
	17	A070011-41	COTTER PIN	Ø2.8X32L	2
	18	F150005-53	FRONT HUB		2
	19	F150008-01	FRONT WHEEL ASSY LEFT	21X7-10"	2
	20	A030016-00	SEAL	TC 20X35X7	2
	21	A010025-04	SEALED BEARING	6004LU	2
	22	A050183-41	FHSC	M8X1.25X17L	8
	23	F150003A00	FRONT ROTOR	Ø160	2
	24	F150004-41	SPACER		2
	25	A030029-00	SEAL	TCY 28X42X7t	2
	26	A010021-04	BEARING	6202LU	2

## ELECTRIC SYSTEM



Model	Item	Part no	Description	Specification	Quantity
	01	A190061-00	Starter Relay		1
	02	F170042-50	Bracket, Starter Relay		1
	03	A050043-41	Philips Screw	M6X1.0X12L	1
	04	A180066-00	Cable, Winker		1
	05	A190092-00	Winker		1
	06	A190083-00	Horn		1
	07	A050024-41	Hexagonal Flange Bolt	M6x1.0x16L	11
	08		Ignition Coil	see engine parts mar	1
	09		CDI	see engine parts mar	1
	10	A190088-00	Voltage Rectifier/Regulation		1
	11	A190062-00	Battery	14Ah	1
	12	A180078-00	Directional Signal	(FR/RL)	1
	13	A180079-00	Directional Signal	(FL/RR)	1
	14	A060007-41	Nut	M10x1.25	2
	15	A180056-00	Headlight		1
	16	F150204-50	Headlight Bracket, Up		2
	17	F150205-50	Headlight Bracket, Down		2
	18	A130018-43	Tapping Screw	5mmx12L	4
	19	F150102A00	Wiring Harness		1
	20	F030044-00	Rear Taillight	602,CE-mark	1
	21	A130003-00	Tapping Screw	4mmx10L	4
	22	F150155-00	Tool Kit		1
	23	A930004-00	Rubber Strip		1
	24	A180049-00	Bulb, Headlight	12V-5W,CE	1
	25	A180055-00	Bulb, Headlight	12V-35/35W	1
	26	F150156-00	Safety Switch		1

# STICKERS



3



2



1

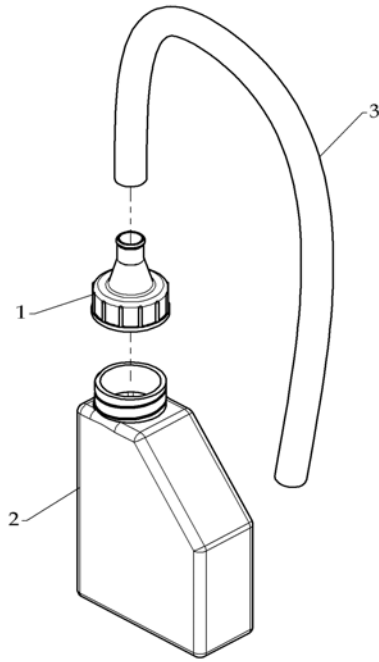


5



4

Model	Item	Part no	Description	Specification	Quantity
	01	A990228-98	Styling Stickers(Orange)		1
	02	A990234-00	Sticker, Tire Pressure		1
	03	A990232-00	Sticker, Warning Sign		1
	04	A990218-00	Sticker, Weight Limit		1
	05	A990210-00	Sticker, Reservoir		1

**COOLING WATER**

Model	Item	Part no	Description	Specification	Quantity
	01	F140262-00	Tull Cap		1
	02	F150203-00	Coolant(Bottled)	2L	2
	03	F140264-00	Tube	Ø15xØ18x680L	1